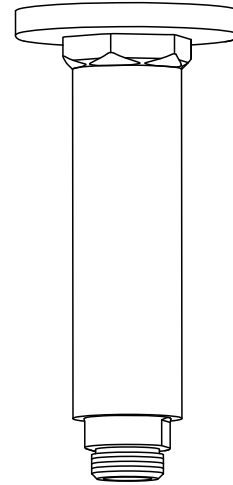


## Features

- Ceiling-mount flange and installation
- Thread = G 1/2
- Includes flange

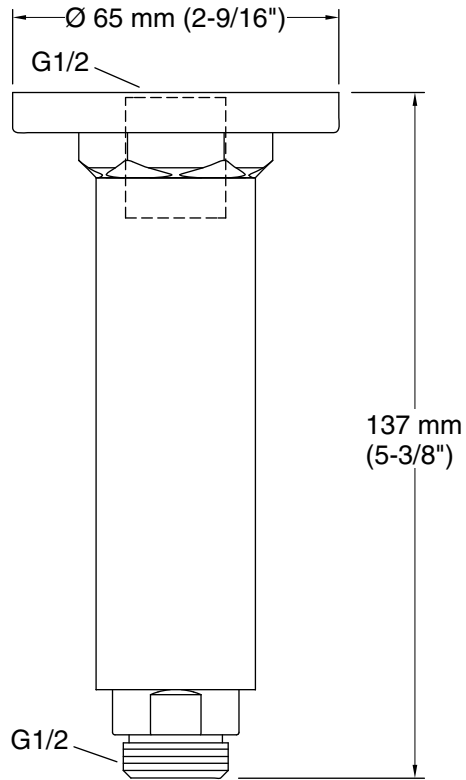
## Material

- Brass
- KOHLER® finishes resist corrosion and tarnishing



Codes and Standards vary by country.  
Consult your Kohler representative for detailed information.

Warranty varies by country. See country website for detailed warranty information.



**Technical Information**

All product dimensions are nominal.

**Notes**

Install this product according to the installation instructions.