



Chesapeake™

Wall-Mount Bathroom Sink

K-1724

Features

- Made from premium materials that withstand high-volume usage
- 19-1/4" L x 17-1/4" W
- Faucet sold separately
- Ledge-back
- Includes wall hanger

Material

- Vitreous china

Installation

- Wall-mount
- Drilled for concealed arm carrier installation

Recommended Products/Accessories

- K-8998 P-Trap
- K-23726 Drain treatment
- K-23725 Cast iron cleaner



ADA

Codes/Standards

ASME A112.19.2/CSA B45.1
ADA
ICC/ANSI A117.1


KOHLER® Vitreous China Bathroom Sink Lifetime Limited Warranty

See website for detailed warranty information.

Available Colors/Finishes

Color tiles intended for reference only.

Color	Code	Description
-------	------	-------------

	0	White
---	---	-------

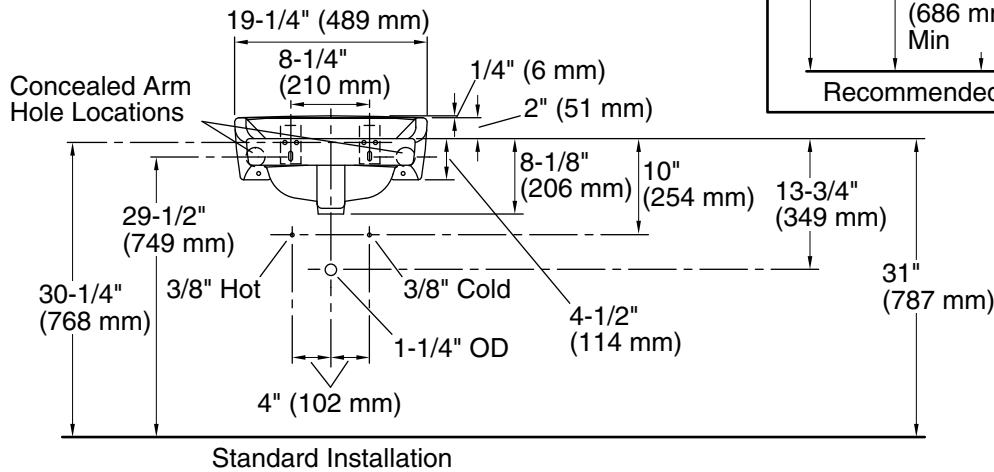
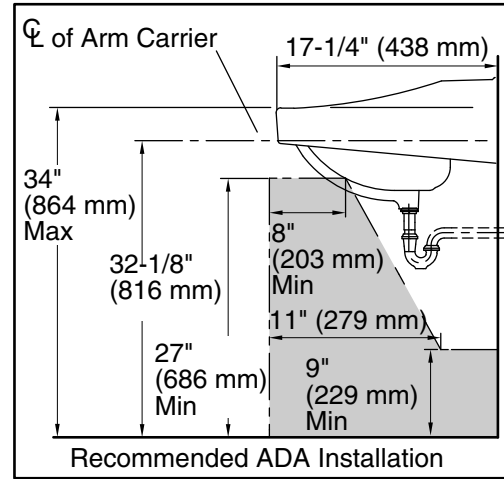
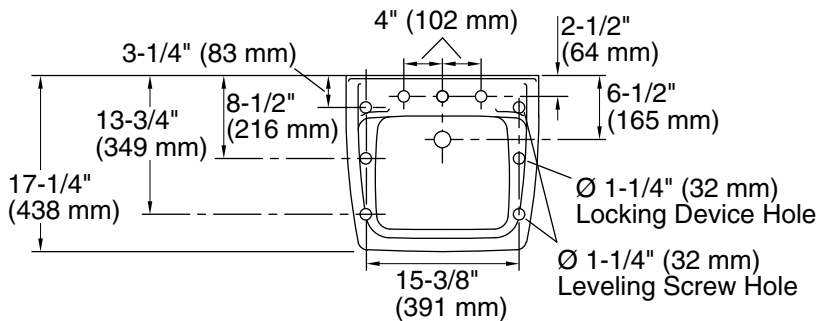
1-800-4KOHLER (1-800-456-4537)

Kohler Co. reserves the right to make revisions without notice to product specifications.

For the most current Specification Sheet, go to www.kohler.com USA or www.kohler.ca Canada

11-3-2024 22:01 - US/CA

THE BOLD LOOK
OF **KOHLER**®



Technical Information

All product dimensions are nominal.

Basin configuration: Single Bowl

Center(s): 8" (203 mm)

Bowl area (Only): Length: 14" (356 mm)

Width: 11" (279 mm)

Water depth: 4-7/16" (113 mm)

With overflow: Yes

Number of deck holes: 3

Faucet hole(s): 1-3/8" (35 mm)

Drain hole: 1-3/4" (44 mm)

Notes

Install this product according to the installation instructions.

ADA compliant when installed to the specific requirements of these regulations.