



**Derring®**

19-1/2" oval undermount bathroom sink  
**K-17889-RL**

### Features

- Oval basin with carved textural pattern
- Artisanal glazes are easy to care for and durable
- Neutral hues complement a wide range of fixtures and faucets
- Natural glaze variations make each sink unique yet beautifully complementary when paired side-by-side
- Fits KOHLER® Caxton 14" x 17" (355.5 x 432 mm) countertop cutout
- No faucet holes; requires wall- or counter-mount faucet

### Material

- Vitreous china

### Installation

- Undermount

### Recommended Products/Accessories

- K-23726 Drain treatment
- K-23725 Cast iron cleaner

### Included Components

- 1193643 Basin clamps



**ADA**

### Codes/Standards


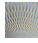

ASME A112.19.2/CSA B45.1  
ADA  
ICC/ANSI A117.1  
IAPMO Certification

### KOHLER® Vitreous China Bathroom Sink Lifetime Limited Warranty

See website for detailed warranty information.

### Available Colors/Finishes

*Color tiles intended for reference only.*

Color	Code	Description
	RB2	Bourbon Rutile
	RB3	Bluestone Rutile
	K8	Translucent White

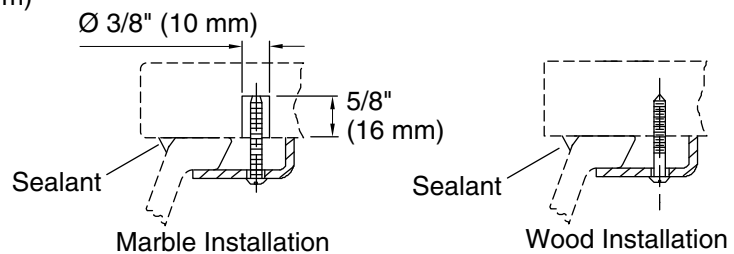
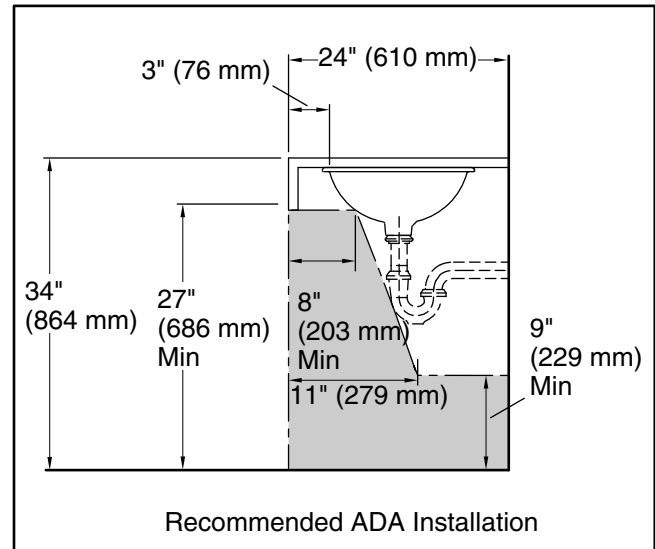
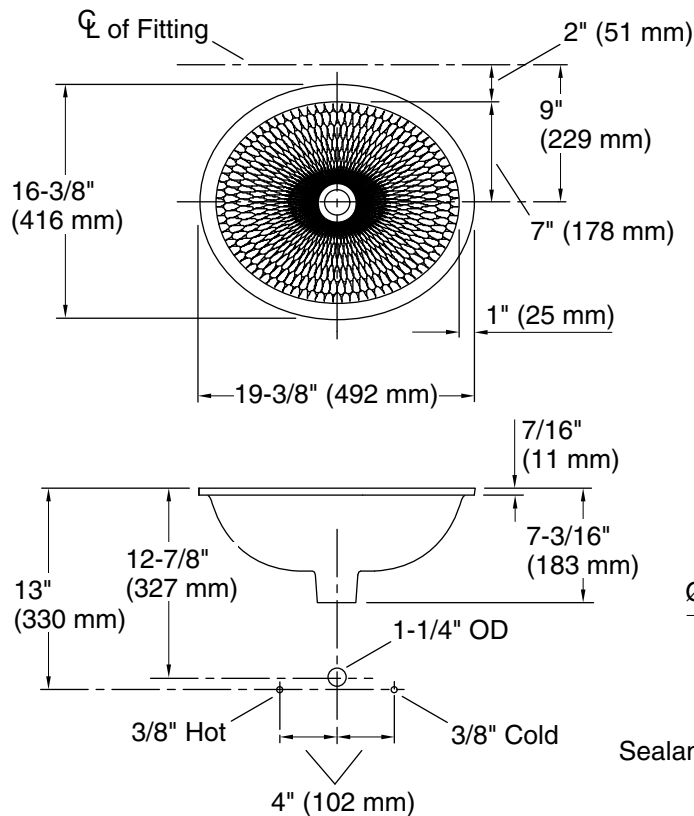
1-800-4KOHLER (1-800-456-4537)

Kohler Co. reserves the right to make revisions without notice to product specifications.

For the most current Specification Sheet, go to [www.kohler.com](http://www.kohler.com) USA or [www.kohler.ca](http://www.kohler.ca) Canada

10-21-2024 23:51 - US/CA

THE BOLD LOOK  
OF **KOHLER®**



## Technical Information

All product dimensions are nominal.

Basin configuration:	Single Bowl
Basin area (Only):	Length: 17" (432 mm)
	Width: 14" (356 mm)
	Bowl depth: 5-1/4" (133 mm)
	Water depth: 5-1/4" (133 mm)
With overflow:	No
Template:	1151011, required, included

## Notes

Install this product according to the installation instructions.

**NOTICE:** Countertop manufacturer or cutter must use the current product template available at [www.kohler.com](http://www.kohler.com), or by calling 1-800-4KOHLER. Kohler Co. is not responsible for cutout errors when the incorrect cutout template is used.

ADA compliant when installed to the specific requirements of these regulations.