



Derring® Carillon®
 17-3/4" round drop-in bathroom sink, no overflow
K-17890-RL

Features

- Round basin with carved textural pattern
- Artisanal glazes are easy to care for and durable
- Neutral hues complement a wide range of fixtures and faucets
- Natural glaze variations make each sink unique yet beautifully complementary when paired side-by-side
- Wading pool design accommodates a wide variety of faucets
- No faucet holes; requires wall- or counter-mount faucet



Material

- Vitreous china

Installation

- Vessel

Recommended Products/Accessories

- K-23726 Drain treatment
- K-23725 Cast iron cleaner

ADA **CSA B651**

Codes/Standards


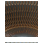

- ASME A112.19.2/CSA B45.1
- ADA
- ICC/ANSI A117.1
- CSA B651
- IAPMO Certification

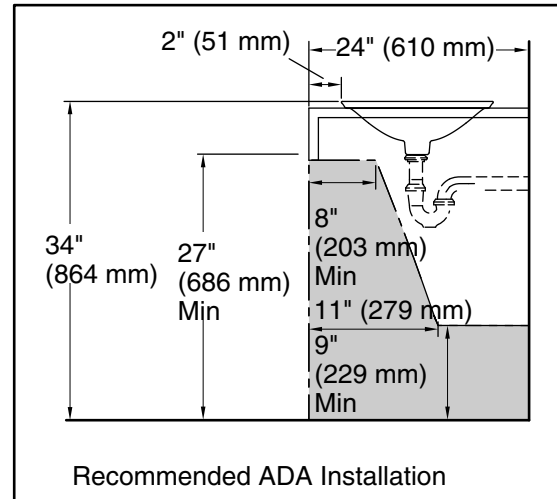
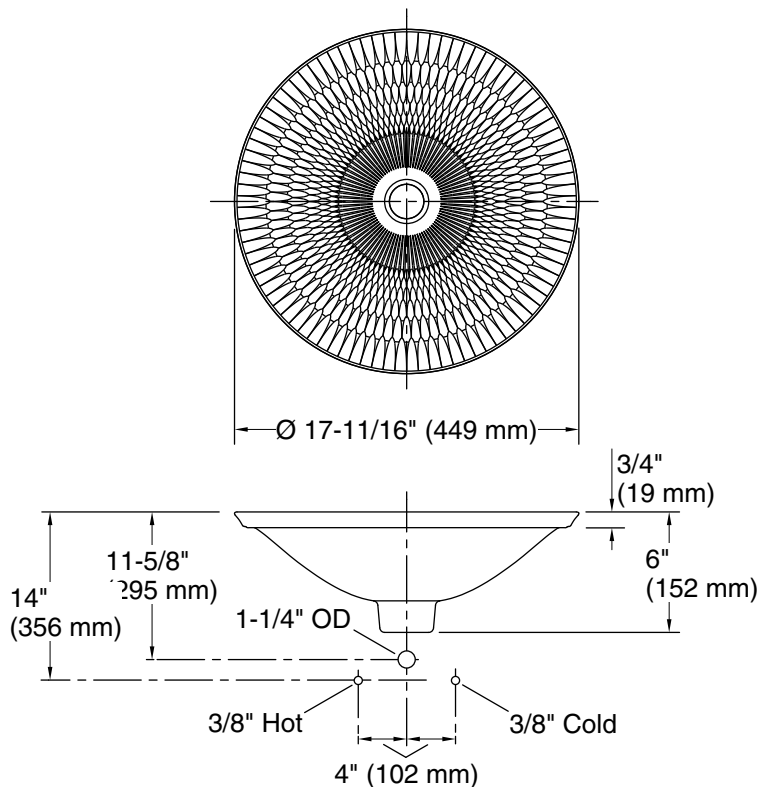
KOHLER® One-Year Limited Warranty

See website for detailed warranty information.

Available Colors/Finishes

Color tiles intended for reference only.

| Color | Code | Description |
|---|------|-------------------|
|  | K8 | Translucent White |
|  | RB2 | Bourbon Rutile |
|  | RB3 | Bluestone Rutile |



Technical Information

All product dimensions are nominal.

| | |
|---------------------|-----------------------------|
| Bowl configuration: | Single |
| Bowl area (Only): | Length: 17-1/4" (437 mm) |
| | Width: 17-1/4" (437 mm) |
| | Bowl depth: 4" (102 mm) |
| | Water depth: 4" (102 mm) |
| Template: | 1242827, required, included |

Notes

Install this product according to the installation instructions.

NOTICE: Countertop manufacturer or cutter must use the current product template available at www.kohler.com, or by calling 1-800-4KOHLER. Kohler Co. is not responsible for cutout errors when the incorrect cutout template is used.

ADA, CSA B651 compliant when installed to the specific requirements of these regulations.