



Derring® Carillon®

21" rectangular drop-in bathroom sink, no overflow
K-17916-RL

Features

- Rectangular basin with carved textural pattern
- Artisanal glazes are easy to care for and durable
- Neutral hues complement a wide range of fixtures and faucets
- Natural glaze variations make each sink unique yet beautifully complementary when paired side-by-side
- Wading pool design accommodates a wide variety of faucets
- No faucet holes; requires wall- or counter-mount faucet



Material

- Vitreous china

Installation

- Vessel

Recommended Products/Accessories

- K-23726 Drain treatment
- K-23725 Cast iron cleaner

ADA CSA B651

Codes/Standards


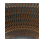
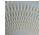
ASME A112.19.2/CSA B45.1
 ADA
 ICC/ANSI A117.1
 CSA B651

KOHLER® Vitreous China Bathroom Sink Lifetime Limited Warranty

See website for detailed warranty information.

Available Colors/Finishes

Color tiles intended for reference only.

Color	Code	Description
	K8	Translucent White
	RB2	Bourbon Rutile
	RB3	Bluestone Rutile

1-800-4KOHLER (1-800-456-4537)

Kohler Co. reserves the right to make revisions without notice to product specifications.

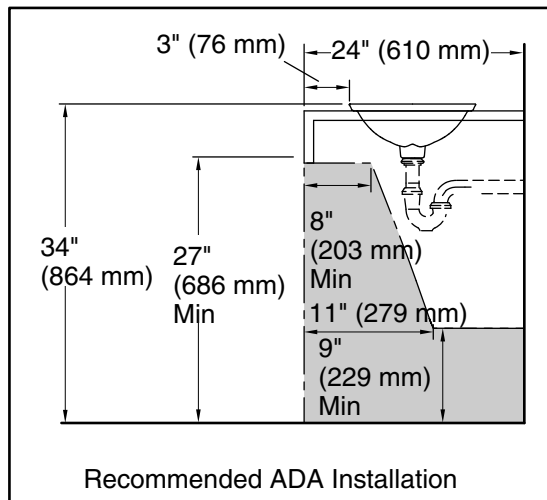
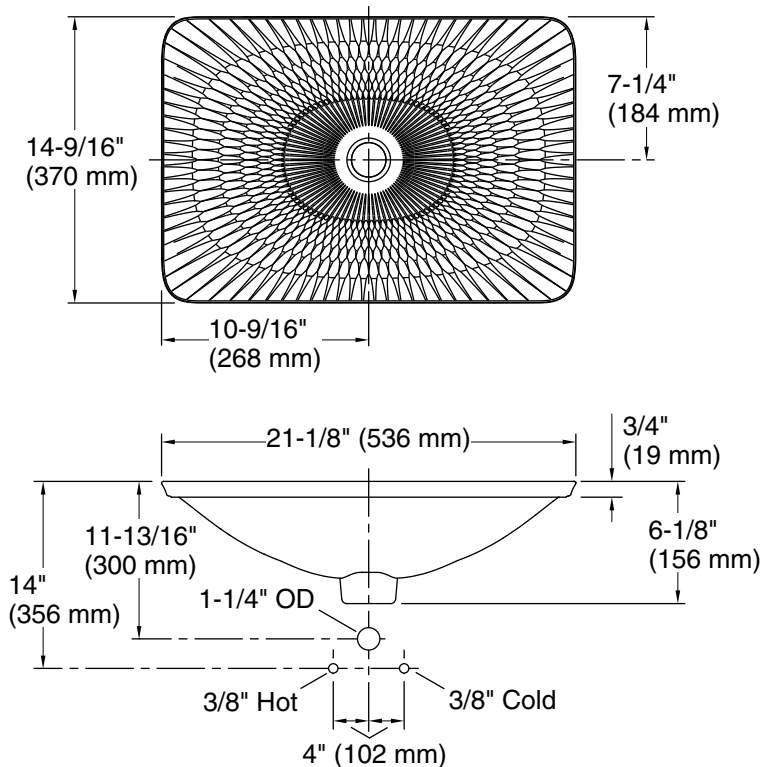
For the most current Specification Sheet, go to www.kohler.com USA or www.kohler.ca Canada

2-18-2025 19:46 - US/CA

THE BOLD LOOK
OF **KOHLER**®



Derring® Carillon®
21" rectangular drop-in bathroom sink, no overflow
K-17916-RL



Technical Information

All product dimensions are nominal.

- Basin configuration: Single Bowl
Bowl area (Only): Length: 21-1/8" (536 mm)
Width: 14-9/16" (370 mm)
Bowl depth: 4-1/8" (105 mm)
Water depth: 4-1/8" (105 mm)
With overflow: No
Template: 1242828, required, included

Notes

Install this product according to the installation instructions.
NOTICE: Countertop manufacturer or cutter must use the current product template available at www.kohler.com, or by calling 1-800-4KOHLER. Kohler Co. is not responsible for cutout errors when the incorrect cutout template is used.
ADA, CSA B651 compliant when installed to the specific requirements of these regulations.