

Features

- Kohler plumbing products mean beautiful form as much as reliable function
- 15/16" male
- 1.0 gpm (3.8 lpm) vandal-resistant, pressure-compensating spray (nonaerated)
- GPM = Volumetric flow rate in gallons per minute
- This product can help a building earn Water Efficiency points in LEED® Green Building Rating System



Codes/Standards

None Applicable

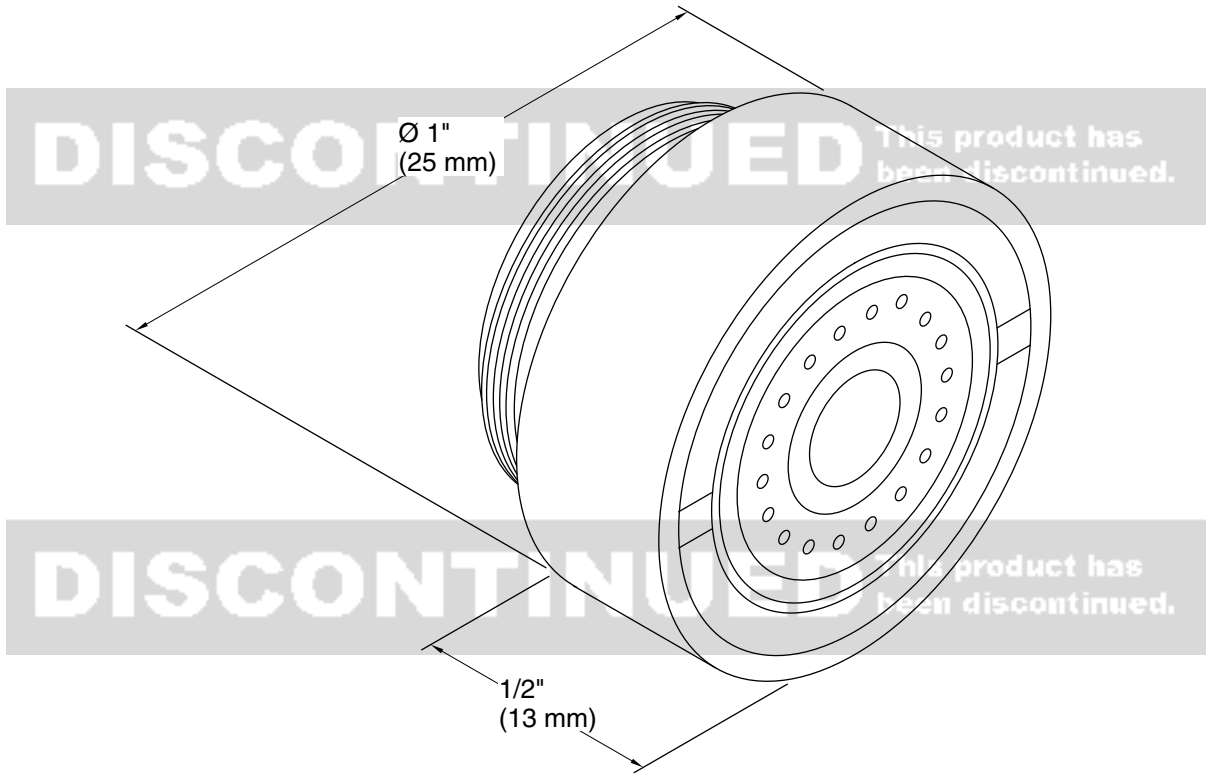
DISCONTINUED

**KOHLER® One-Year Limited
Warranty**

See website for detailed warranty information.

DISCONTINUED

This product has
been discontinued.



Technical Information

All product dimensions are nominal.

Material: Brass

Notes

Install this product according to the installation guide.

