

Features

- Kohler plumbing products mean beautiful form as much as reliable function
- 55/64" female
- 2.2-gpm vandal-resistant aerator
- GPM = Volumetric flow rate in gallons per minute



Codes/Standards

None Applicable

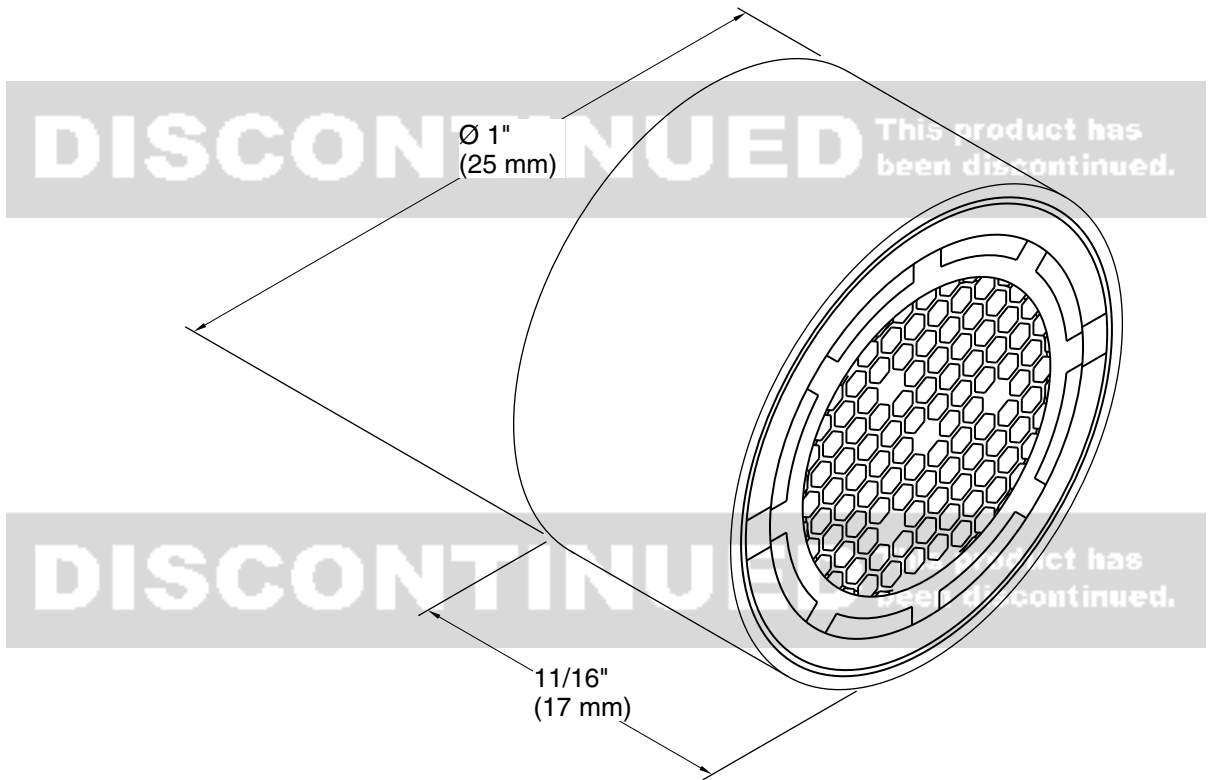
DISCONTINUED

**KOHLER® One-Year Limited
Warranty**

See website for detailed warranty information.

DISCONTINUED

This product has
been discontinued.



Technical Information

All product dimensions are nominal.

Material: Brass

Notes

Install this product according to the installation guide.

