

### Features

- Bask® heated surface creates spa-like relaxation with soothing warmth on your back, shoulders, and neck
- Customize the heat with three adjustable settings
- Generous length provides a spacious bathing area
- Integral lumbar support
- Slotted overflow allows for deep soaking

### Material

- Acrylic

### Installation

- Center drain
- Drop-in or undermount
- Requires 110 V electrical service
- Under-mount installation requires kit K-593 (sold separately)

### Required Products/Accessories

K-7271 Brass Slotted Overflow Bath Drain

or

K-7272 PVC Slotted Overflow Bath Drain

### Recommended Products/Accessories

K-1491 Bath/Whirlpool Pillow  
K-1601 Bath/whirlpool footstop, removable  
K-593 Under-Mount Installation Kit  
K-1177 Vinyl Tiling-in Bead  
K-23726 Drain treatment  
K-23732 Tub & shower cleaner



### Codes/Standards





ASME A112.19.7/CSA B45.10  
CSA B45.5/IAPMO Z124  
ASTM E162  
ASTM E662  
UL 1795  
IAPMO Certification  
UL Listed

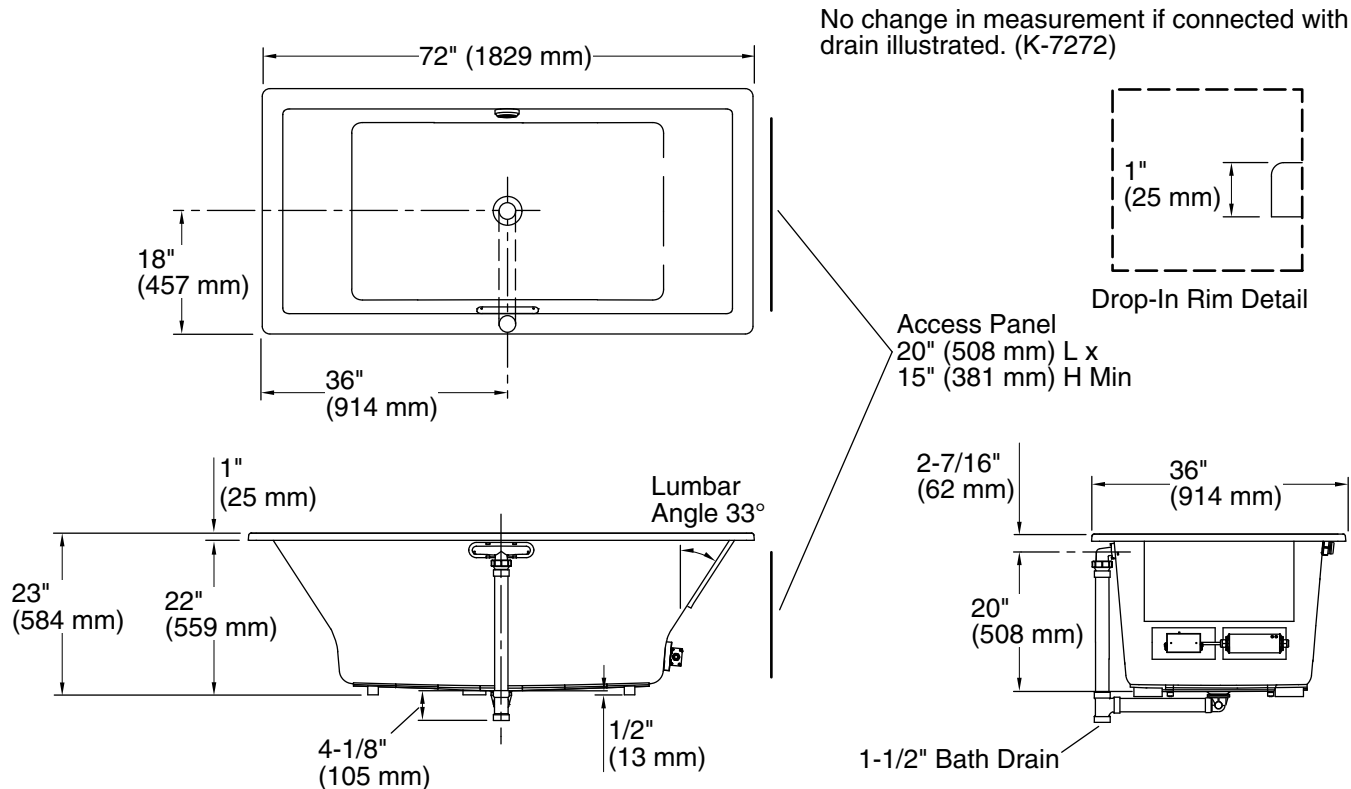
### KOHLER® Plastic Baths and Receptors Lifetime Limited Warranty KOHLER® Hydrotherapy Components Five-Year Limited Warranty

See website for detailed warranty information.

### Available Colors/Finishes

*Color tiles intended for reference only.*

Color	Code	Description
	0	White
	96	Biscuit
	95	Ice™ Grey
	7	Black Black™



### Required Electrical Service

One circuit required, protected with Class A Ground-Fault Circuit-Interrupter (GFCI). Outside North America, this device may be known as a Residual Current Device (RCD).

Heated Surface: 120 V, 15 A, 60 Hz

### Technical Information

All product dimensions are nominal.

Drain location: Center

Basin area, bottom: 45-3/4" x 25-15/16" (1162 mm x 659 mm)

Basin area, top: 65-3/8" x 29-5/16" (1661 mm x 745 mm)

Weight: 88 lbs (39.9 kg)

Minimum floor load: 58 lbs/ft<sup>2</sup> (283.2 kg/m<sup>2</sup>)

Water depth: 19-7/16" (494 mm)

Water capacity: 112.9 gal (427.4 L)

Cutout: Drop-in, 71-1/2" x 35-1/2" (1816 mm x 902 mm)

Electrical component rating: Heated Surface: 120 V, 0.5 A, 60 Hz, 65 W

Minimum flat for: 2-1/2" (64 mm)

### Notes

Measure your actual product for rough-in details.

Install this product according to the installation instructions.

The hot water supply should be 70% of the capacity of the bath or greater. Installations will vary.

Kit is required for under-mount installations (sold separately).