

Features

- Metal construction
- Lever handle
- Line-matched faucets and showerheads available
- Push-button diverter
- Install with recessed 40mm valve
- Requires Kohler valve number 882T (sold separately) for installation

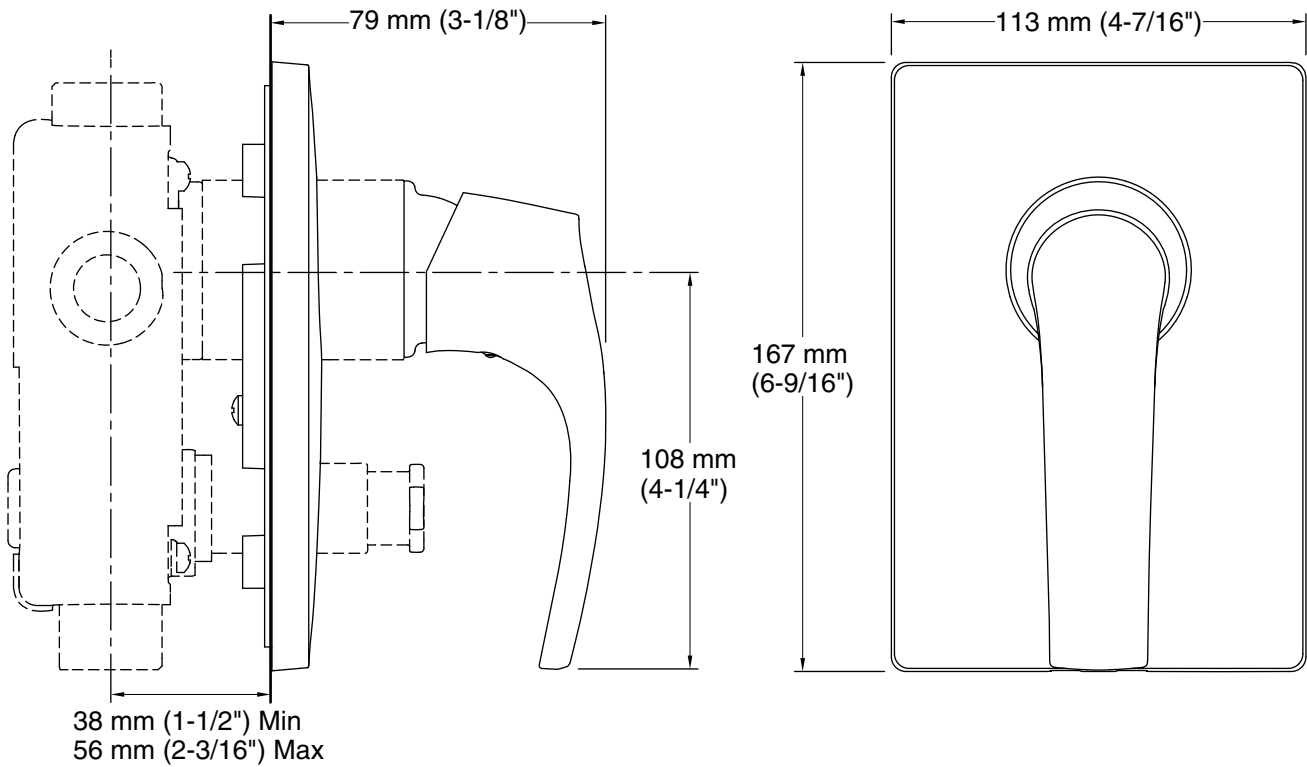
Material

- KOHLER finishes resist corrosion and tarnishing



Codes and Standards vary by country.
Consult your Kohler representative for detailed information.

Warranty varies by country. See country website for detailed warranty information.



Technical Information

All product dimensions are nominal.

Notes

Install this product according to the installation instructions.