



Glen Falls™

25" top-/undermount single-bowl utility sink
K-19017-2

Features

- 27" (686 mm) minimum base cabinet width
- Single bowl
- 13" depth provides generous workspace
- Two faucet holes

Material

- KOHLER® enameled cast iron

Installation

- Dual-mount sink can be installed as top-mount or undermount
- Undermount installation kit not included

Recommended Products/Accessories

- K-8801 Sink drain and strainer with tailpiece
- K-8799 Sink drain and strainer basket
- K-23726 Drain treatment
- K-23725 Cast iron cleaner

Optional Products/Accessories

- K-11352 Disposal Flange with Stopper
- K-9000 P-Trap



Codes/Standards

ASME A112.19.1/CSA B45.2
IAPMO Certification

KOHLER® Enameled Cast Iron Kitchen and Bathroom Sink Lifetime Limited Warranty

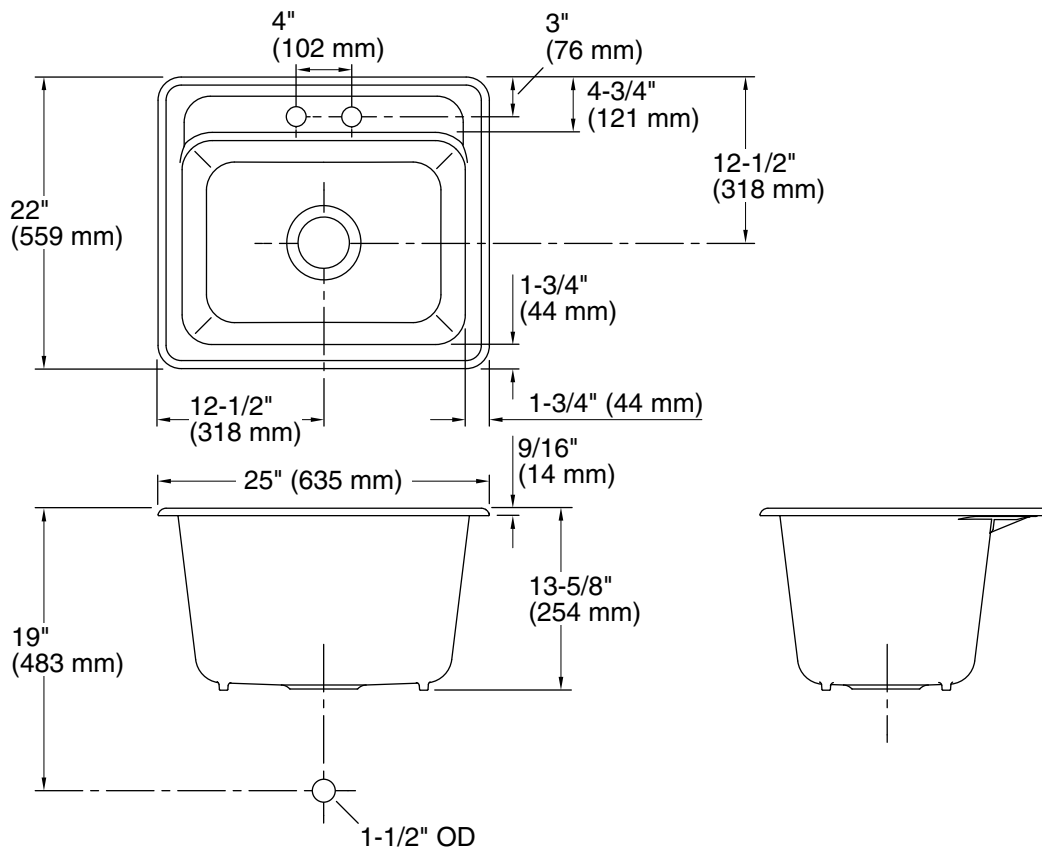
See website for detailed warranty information.

Available Colors/Finishes

Color tiles intended for reference only.

Color	Code	Description
-------	------	-------------

	0	White
---	---	-------



Technical Information

All product dimensions are nominal.

Basin configuration: Single Bowl
Min. base cabinet width: 27" (686 mm)

Bowl area (Only): Length: 21-1/2" (546 mm)
Width: 15-1/2" (394 mm)
Bowl depth: 13" (330 mm)
Water depth: 13" (330 mm)

Number of deck holes: 2

Faucet hole(s): 1-3/8" (35 mm)

Drain hole: 3-7/8" (98 mm)

Template: 1079983-7, required, included

Notes

Install this product according to the installation instructions.