



**Park Falls™**  
21" top-/undermount single-bowl utility sink  
**K-19022-2**

**Features**

- Fits minimum 21" (533 mm) base cabinet if installed as top-mount
- Single bowl
- 12-1/2" depth provides generous workspace
- Two faucet holes
- Small size fits compact spaces

**Material**

- KOHLER® enameled cast iron

**Installation**

- Fits minimum 24" (610 mm) base cabinet if installed as undermount
- Dual-mount sink can be installed as top-mount or undermount
- Undermount installation kit not included

**Recommended Products/Accessories**

- K-8801 Sink drain and strainer with tailpiece
- K-8799 Sink drain and strainer basket
- K-23726 Drain treatment
- K-23725 Cast iron cleaner

**Optional Products/Accessories**

- K-11352 Disposal Flange with Stopper
- K-9000 P-Trap



**Codes/Standards**

ASME A112.19.1/CSA B45.2  
IAPMO Certification

**KOHLER® Enameled Cast Iron  
Kitchen and Bathroom Sink Lifetime  
Limited Warranty**

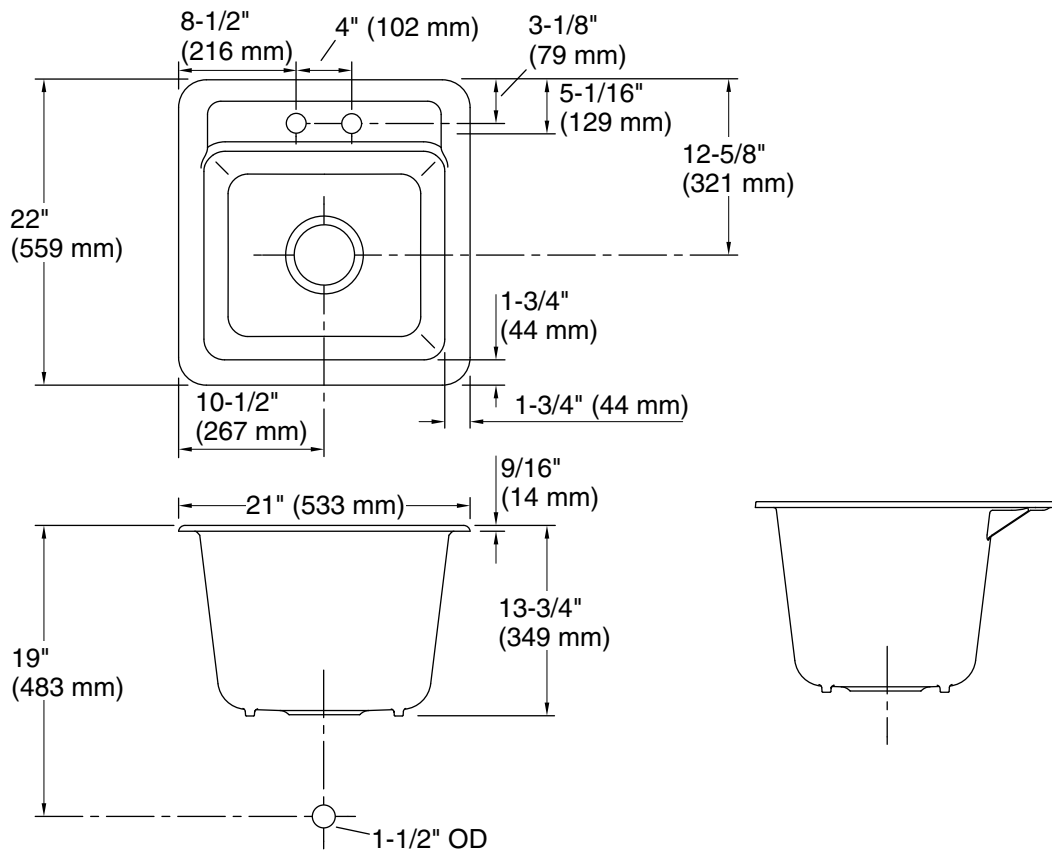
See website for detailed warranty information.

**Available Colors/Finishes**

*Color tiles intended for reference only.*

**Color Code Description**

	0	White
---	---	-------



### Technical Information

All product dimensions are nominal.

Basin configuration: Single Bowl

Min. base cabinet width: 24" (610 mm)

Bowl area (Only):  
 Length: 17-1/2" (445 mm)  
 Width: 15-3/16" (386 mm)  
 Bowl depth: 12-1/2" (318 mm)  
 Water depth: 12-1/2" (318 mm)

Number of deck holes: 2

Faucet hole(s): 1-3/8" (35 mm)

Drain hole: 3-7/8" (98 mm)

Template: 1079985-7, required, included

### Notes

Install this product according to the installation instructions.