



**Escale®**  
16-1/4" square vessel bathroom sink with overflow  
**K-19047**

**Features**

- Contemporary design
- Overflow drain
- No faucet holes; requires wall- or counter-mount faucet
- Coordinates with other products in the Escale collection

**Material**

- Fireclay

**Installation**

- Vessel

**Recommended Products/Accessories**

- K-23726 Drain treatment
- K-23725 Cast iron cleaner

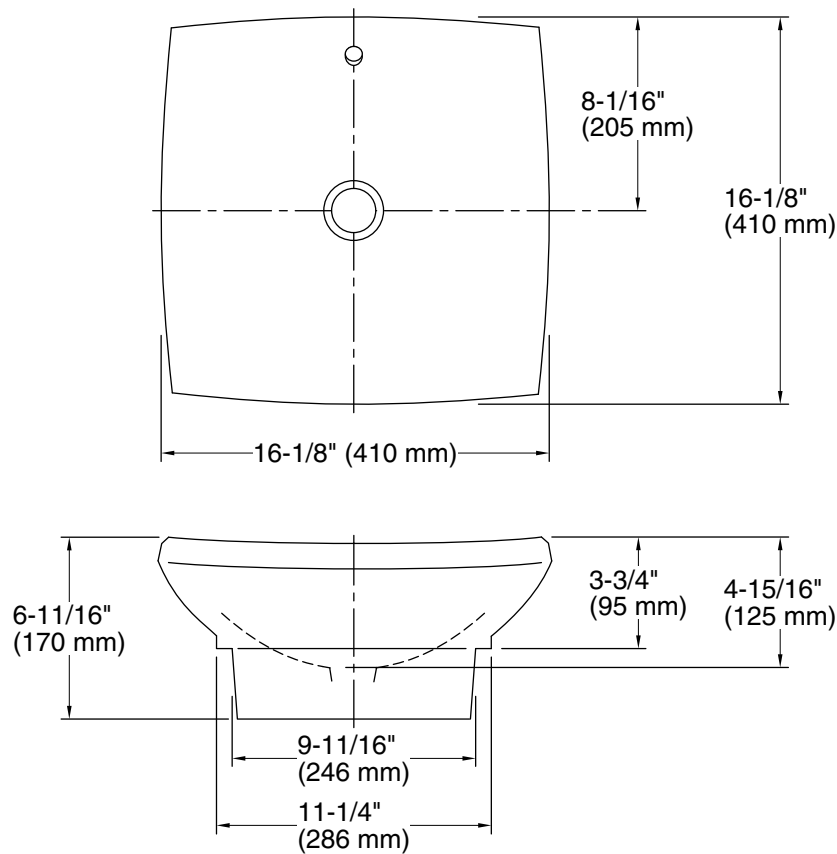


**Codes/Standards**

ASME A112.19.2/CSA B45.1

**KOHLER® One-Year Limited  
Warranty**

See website for detailed warranty information.



## Technical Information

All product dimensions are nominal.

Basin configuration:	Single Bowl
Basin area (Only):	Width: 16-1/8" (410 mm) Bowl depth: 16-1/8" (410 mm) Water depth: 3-1/2" (89 mm)
With overflow:	Yes
Drain hole:	1-3/4" (44 mm)
Template:	1052863-7, required, included

## Notes

Install this product according to the installation instructions.

**NOTICE:** Countertop manufacturer or cutter must use the cut-out template provided with the product, or a current one provided by Kohler (call 1-800-4-KOHLER). Kohler is not responsible for cutout errors when incorrect cut-out template is used.