

Features

- Comfort Depth® design offers a convenient 19" step-over height while retaining the same depth as a standard 21" bath
- Integral lumbar support
- Slotted overflow allows for deep soaking
- Integral apron
- Integral flange helps prevent water from seeping behind wall and simplifies alcove installation
- Textured bottom surface
- Coordinates with other products in the Archer collection

Material

- Acrylic

Installation

- Left drain
- Alcove

Required Products/Accessories

K-7271 Brass Slotted Overflow Bath Drain

or

K-7272 PVC Slotted Overflow Bath Drain

Recommended Products/Accessories

K-23726 Drain treatment

K-23732 Tub & shower cleaner

K-31797 Slotted overflow bath drain kit

K-31795 Slotted overflow above-the-floor bath drain kit



ADA

Codes/Standards

CSA B45.5/IAPMO Z124

UL 1795

ADA

ICC/ANSI A117.1

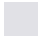




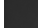
UL Listed

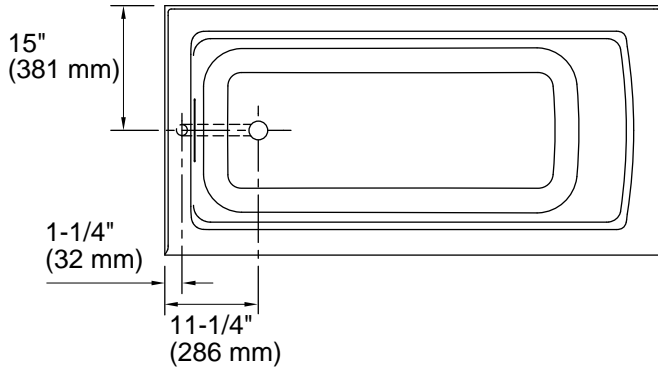
KOHLER® Plastic Baths and Receptors Lifetime Limited Warranty

See website for detailed warranty information.

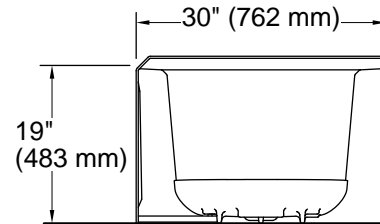
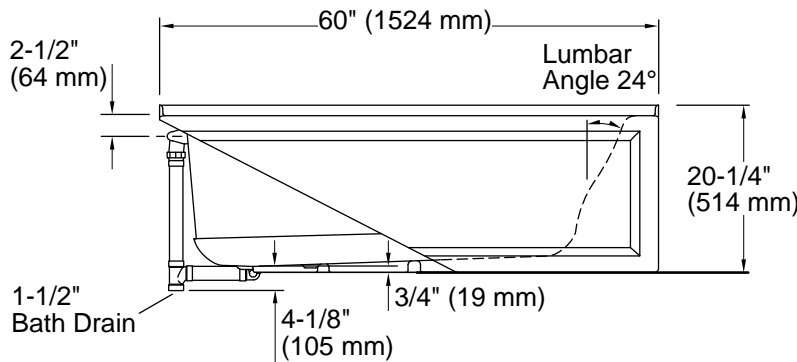
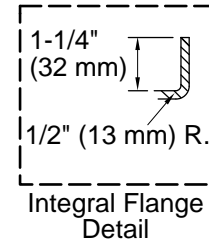
Available Colors/Finishes

Color tiles intended for reference only.

| Color | Code | Description |
|---|------|---------------|
|  | 0 | White |
|  | 96 | Biscuit |
|  | NY | Dune |
|  | 95 | Ice™ Grey |
|  | 58 | Thunder™ Grey |
|  | 7 | Black Black™ |



No change in measurements if connected with drain illustrated. (K-7272)



Technical Information

All product dimensions are nominal.

| | |
|------------------------|---|
| Drain location: | Left |
| Basin area, bottom: | 45-1/8" x 19-11/16" (1146 mm x 500 mm) |
| Basin area, top: | 52-1/8" x 22-1/16" (1324 mm x 560 mm) |
| Weight: | 73 lbs (33.1 kg) |
| Minimum floor load: | 46 lbs/ft ² (224.6 kg/m ²) |
| Water depth: | 15-1/8" (384 mm) |
| Water capacity: | 57 gal (215.8 L) |
| Minimum flat for door: | 2-9/16" (66 mm) |

Notes

Measure your actual product for rough-in details.

Install this product according to the installation instructions.

The hot water supply should be 70% of the capacity of the bath or greater. Installations will vary.

ADA compliant when installed to the specific requirements of these regulations.