

## Features

- 118 to 122 airjets release thousands of heated bubbles that surround and support the body in a warm massage
- Automatic and manual purge cycles remove residual water from air channels after use
- Variable-speed blower lets you adjust massage intensity to 18 levels
- Freestanding design creates a striking focal point in your bathing area
- 16" (406 mm) depth offers a deep soaking experience
- Integral lumbar support on both ends
- Textured bottom surface
- Wide ledge on one side is ideal for deck-mount faucet and/or handshower
- Straight shroud
- Built-in 600W BubbleMassage™ heater warms humidified air before it enters the bath
- Automatic and manual purge cycles remove residual water from air channels after use

## Material

- Acrylic

## Technology

- Auto-shutoff timer on blower allows users to enjoy Heated BubbleMassage™ experience for 60 minutes before turning off
- User interface: electronic keypad control

## Installation

- Center drain
- Freestanding
- PureFlo drains are not recommended for a deck-mount faucet installation
- Remote blower motor installation required (relocation kit is included)

## Required Products/Accessories

K-T37391 Rotary-turn bath drain trim  
K-T37392 Rotary-turn bath drain trim

or

K-78438 30" cable bath drain

## Recommended Products/Accessories

K-7265 Brass toe tap bath drain  
K-23726 Drain treatment  
K-23732 Tub & shower cleaner



## Codes/Standards

ASME A112.19.7/CSA B45.10  
CSA B45.5/IAPMO Z124  
ASTM E162  
ASTM E662  
UL 1795  
CSA C22.2 No. 218.2  
IAPMO Certification  
cUL Listed  
UL Listed

## KOHLER® Plastic Baths and Shower Bases Lifetime Limited Warranty KOHLER® Hydrotherapy Components Five-Year Limited Warranty

See website for detailed warranty information.

## Available Colors/Finishes

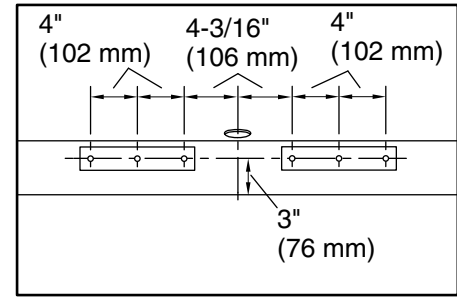
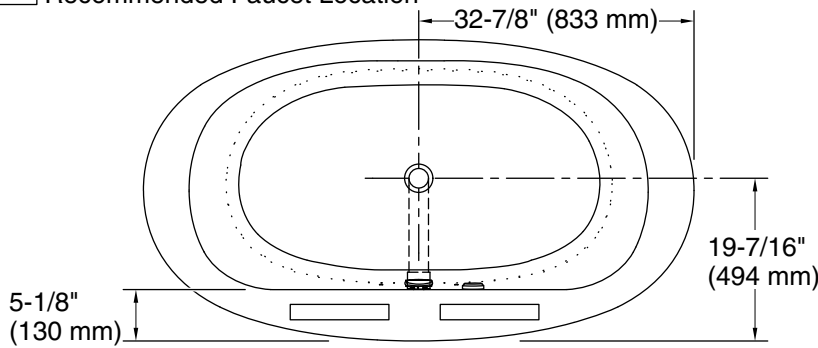
*Color tiles intended for reference only.*

### Color Code Description

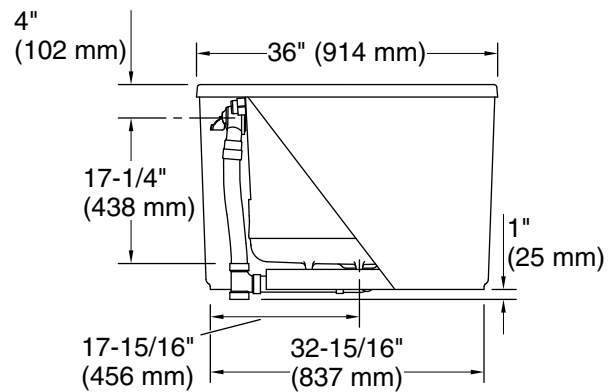
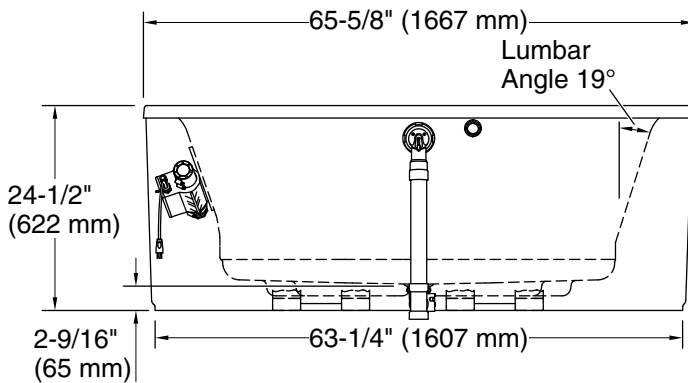
■ 0 White

No change in measurements if connected with drain illustrated. (K-37386)

Recommended Faucet Location



Recommended Faucet Hole Location



### Required Electrical Service

Two dedicated circuits required, protected with Class A Ground-Fault Circuit-Interrupter (GFCI). Outside North America, this device may be known as a Residual Current Device (RCD).

Blower: 120 V, 15 A, 60 Hz  
Heater: 120 V, 15 A, 60 Hz

### Technical Information

All product dimensions are nominal.

Drain location: Center  
Basin area, bottom: 45-3/4" x 24-7/8" (1162 mm x 632 mm)  
Basin area, top: 54-7/8" x 29-3/16" (1394 mm x 741 mm)  
Weight: 100 lbs (45.4 kg)  
Minimum floor load: 40.4 lbs/ft<sup>2</sup> (197.3 kg/m<sup>2</sup>)  
Water depth: 15-3/4" (400 mm)  
Water capacity: 72.6 gal (274.8 L)  
Template: Footprint, 1245666, not required, not included  
Electrical component rating: Blower: 120 V, 10 A, 60 Hz  
Heater: 120 V, 5 A, 60 Hz

### Notes

Measure your actual product for rough-in details.

Install this product according to the installation instructions.

The hot water supply should be 70% of the capacity of the bath or greater. Installations will vary.

This bath is designed for freestanding installation only.

If installing a rim-mount faucet, make sure there is no interference above or below the deck before drilling any holes.