



**Tresham®**

60" x 32" alcove shower base, left drain  
**K-1977**

### Features

- Low-threshold design for easy entry and exit
- Single threshold for three-wall installation
- Durable plastic construction
- Integral 18" (457 mm) undercut seat at right
- Coordinates with other products in the Tresham collection

### Material

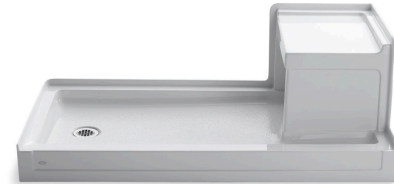
- Acrylic

### Installation

- Left drain

### Recommended Products/Accessories

- K-706009-D3 Frameless Sliding Shower Door
- K-706009-L Frameless Sliding Shower Door
- K-706015-D3 Frameless Sliding Shower Door
- K-706015-L 74" H sliding shower door with 1/4"-thick glass
- K-9132 Shower Drain
- K-23726 Drain treatment



### Codes/Standards

- CSA B45.5/IAPMO Z124
- ASTM E162
- ASTM E662





### KOHLER® Plastic Baths and Receptors Lifetime Limited Warranty

See website for detailed warranty information.

### Available Colors/Finishes

*Color tiles intended for reference only.*

#### Color Code Description

	0	White
	96	Biscuit
	NY	Dune
	95	Ice™ Grey

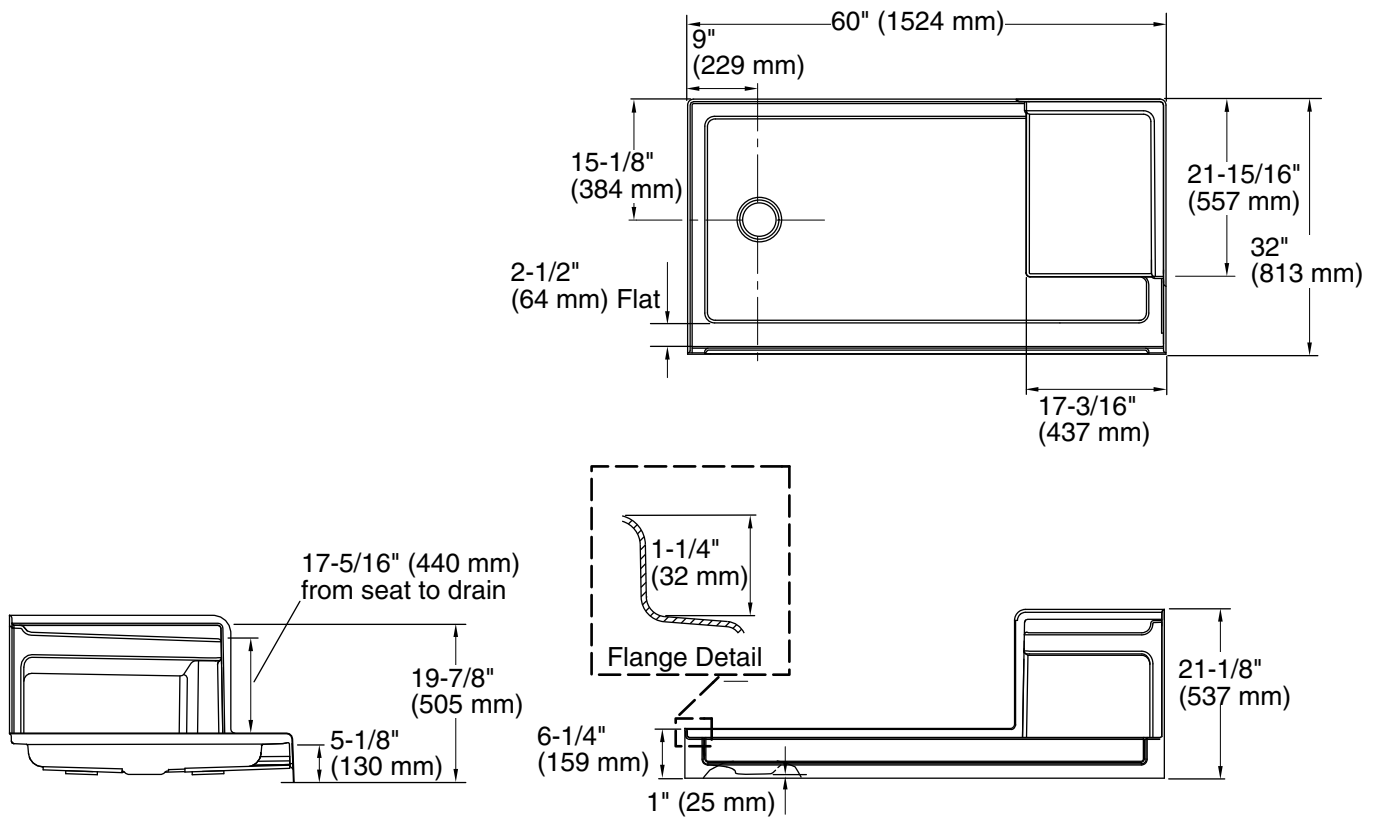
1-800-4KOHLER (1-800-456-4537)

Kohler Co. reserves the right to make revisions without notice to product specifications.

For the most current Specification Sheet, go to [www.kohler.com](http://www.kohler.com) USA or [www.kohler.ca](http://www.kohler.ca) Canada

3-24-2025 21:39 - US/CA

THE BOLD LOOK  
OF **KOHLER®**



## Technical Information

All product dimensions are nominal.

Drain location:	Left
Weight:	72 lbs (32.7 kg)
Minimum floor load:	20 lbs/ft <sup>2</sup> (97.6 kg/m <sup>2</sup> )
Minimum flat for door:	2-1/2" (64 mm)

## Notes

Measure your actual product for rough-in details.

Install this product according to the installation instructions.

Shimming may be required between the stud frame and the fixture.

Stud opening tolerance is +1/4" (6 mm), -0" (0 mm).

KOHLER steam generator/control kit are designed for use with this product. Kohler Co. shall not be responsible for problems encountered due to the installation and use of other manufacturer's steam generators.