



Brenham™
Wall-Mount Bathroom Sink
K-1997-1L

Features

- Single faucet hole
- Oval basin
- Overflow drain
- Left-hand hole drilled for soap or lotion dispenser
- Includes wall hanger

Material

- Vitreous china

Installation

- Wall-mount
- Drilled for concealed arm carrier installation

Recommended Products/Accessories

- K-23726 Drain treatment
- K-23725 Cast iron cleaner

Optional Products/Accessories

- K-1998 Shroud
- K-8998 P-Trap



ADA **CSA B651** **OBC**

Codes/Standards

ASME A112.19.2/CSA B45.1
ADA
ICC/ANSI A117.1
CSA B651
OBC
IAPMO Certification

KOHLER® Vitreous China Bathroom Sink Lifetime Limited Warranty

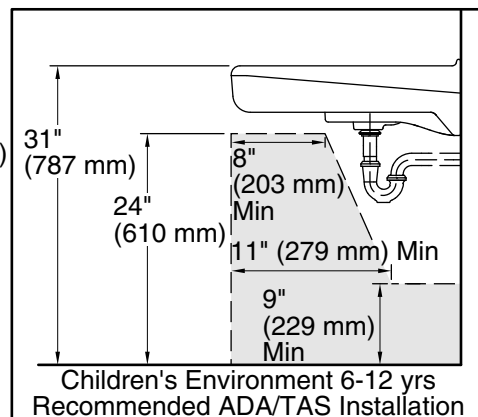
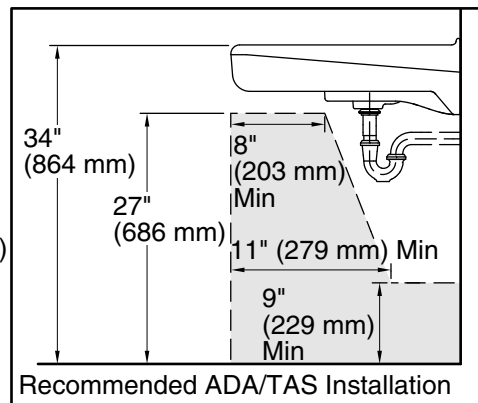
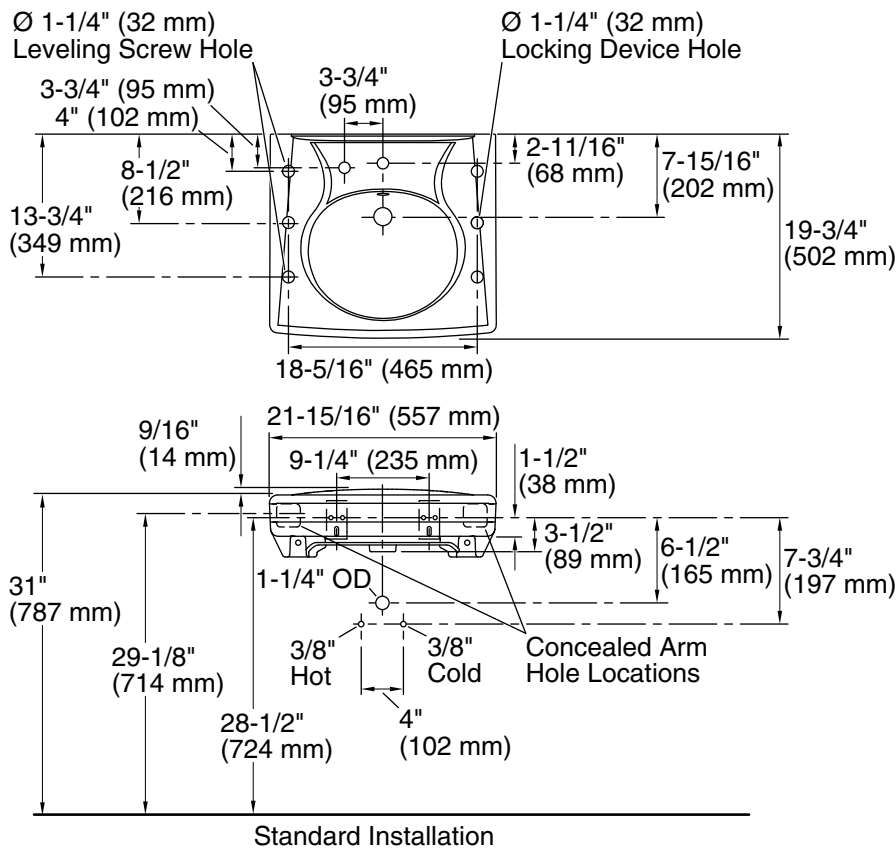
See website for detailed warranty information.

Available Colors/Finishes

Color tiles intended for reference only.

Color Code Description

■ 0 White



Technical Information

All product dimensions are nominal.

| | |
|-----------------------|--|
| Basin configuration: | Single Bowl |
| Bowl area (Only): | Length: $14\text{-}3/8\text{''}$ (365 mm) Width: $12\text{-}5/16\text{''}$ (313 mm) Water depth: $3\text{-}1/4\text{''}$ (83 mm) |
| With overflow: | Yes |
| Number of deck holes: | 2 |
| Faucet hole(s): | $1\text{-}3/8\text{''}$ (35 mm) |
| Soap/Lotion hole: | $1\text{-}1/4\text{''}$ (32 mm) |
| Drain hole: | $1\text{-}3/4\text{''}$ (44 mm) |

Notes

Install this product according to the installation instructions.

ADA, OBC, CSA B651 compliant when installed to the specific requirements of these regulations.