



**Brenham™**  
Wall-Mount Bathroom Sink  
**K-1997-1NR**

**Features**

- Single faucet hole
- Oval basin
- Sealed overflow drain
- Right-hand hole drilled for soap or lotion dispenser
- Includes wall hanger

**Material**

- Vitreous china

**Installation**

- Wall-mount
- Drilled for concealed arm carrier installation

**Recommended Products/Accessories**

- K-23726 Drain treatment
- K-23725 Cast iron cleaner

**Optional Products/Accessories**

- K-8998 P-Trap
- K-1998 Shroud



**ADA** **CSA B651** **OBC**

**Codes/Standards**

ASME A112.19.2/CSA B45.1  
ADA  
ICC/ANSI A117.1  
CSA B651  
OBC  
IAPMO Certification


**KOHLER® One-Year Limited  
Warranty**

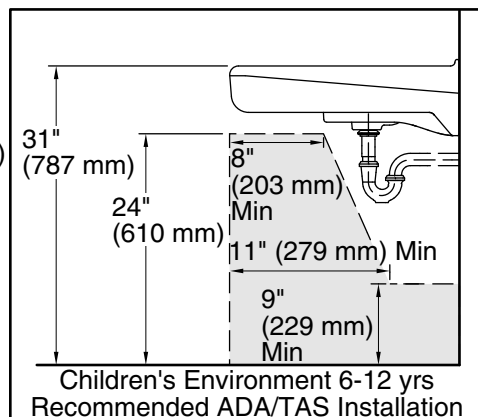
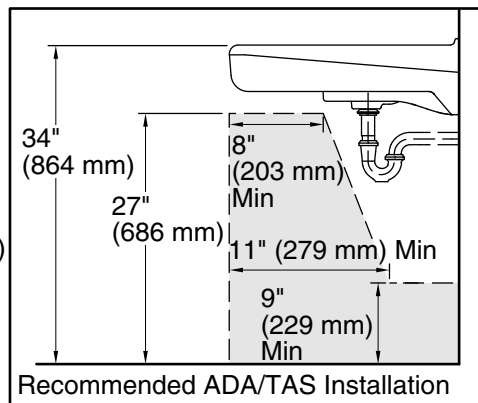
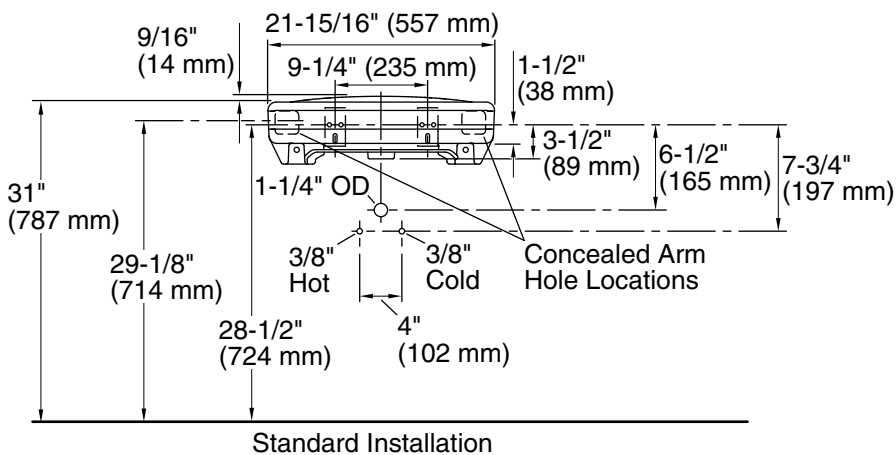
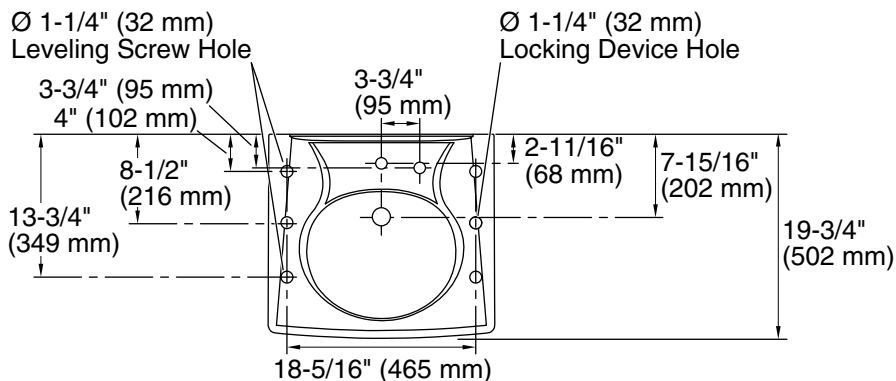
See website for detailed warranty information.

**Available Colors/Finishes**

*Color tiles intended for reference only.*

**Color Code Description**

 0 White



### Technical Information

All product dimensions are nominal.

- Bowl configuration: Single Bowl
- Bowl area (Only): Length: 14-3/8" (365 mm)  
 Width: 12-5/16" (313 mm)  
 Water depth: 3-1/4" (83 mm)
- With overflow: Yes
- Number of deck holes: 2
- Faucet hole(s): 1-3/8" (35 mm)
- Soap/Lotion hole: 1-1/4" (32 mm)
- Drain hole: 1-3/4" (44 mm)

### Notes

Install this product according to the installation instructions.  
 ADA, OBC, CSA B651 compliant when installed to the specific requirements of these regulations.