



Brenham™
Wall-Mount Bathroom Sink
K-1997-1N

Features

- Single faucet hole
- Oval basin
- Sealed overflow drain
- Includes wall hanger

Material

- Vitreous china

Installation

- Wall-mount
- Drilled for concealed arm carrier installation

Recommended Products/Accessories

- K-23726 Drain treatment
- K-23725 Cast iron cleaner

Optional Products/Accessories

- K-8998 P-Trap
- K-1998 Shroud



ADA **CSA B651** **OBC**

Codes/Standards

ASME A112.19.2/CSA B45.1
ADA
ICC/ANSI A117.1
CSA B651
OBC
IAPMO Certification

KOHLER® Vitreous China Bathroom Sink Lifetime Limited Warranty

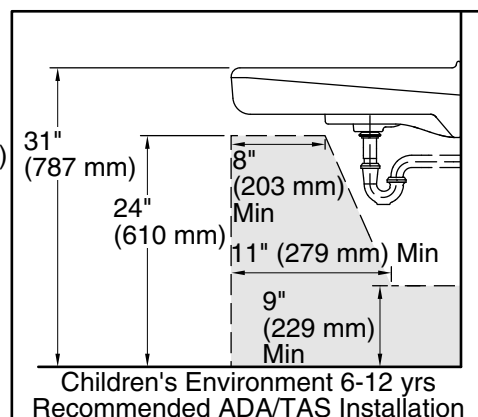
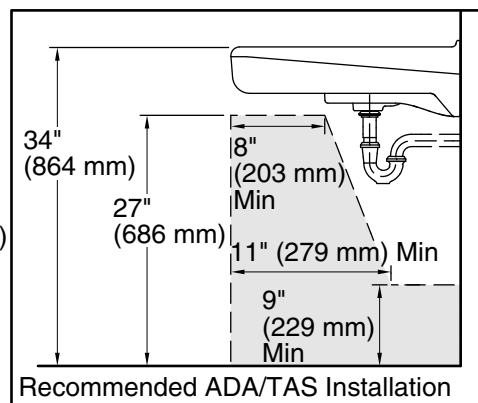
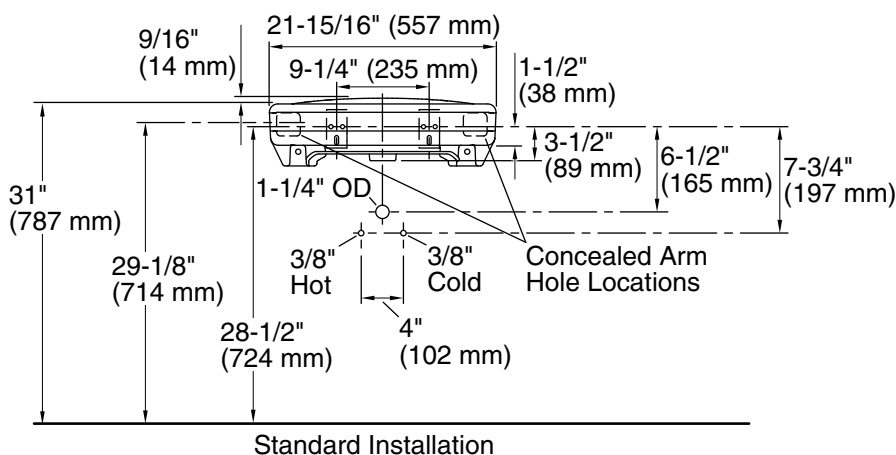
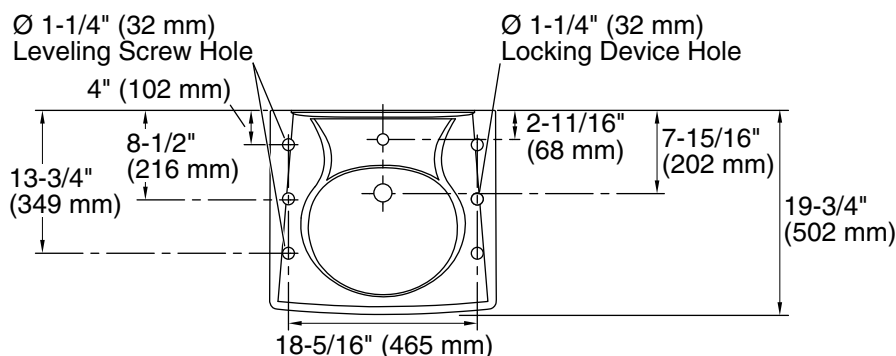
See website for detailed warranty information.

Available Colors/Finishes

Color tiles intended for reference only.

Color Code Description

	0	White
---	---	-------



Technical Information

All product dimensions are nominal.

- Basin configuration: Single Bowl
- Bowl area (Only): Length: 14-3/8" (365 mm)
Width: 12-5/16" (313 mm)
Water depth: 3-1/4" (83 mm)
- With overflow: Yes
- Number of deck holes: 2
- Faucet hole(s): 1-3/8" (35 mm)
- Drain hole: 1-3/4" (44 mm)

Notes

- Install this product according to the installation instructions.
- ADA, OBC, CSA B651 compliant when installed to the specific requirements of these regulations.