



**Brenham™**  
Wall-Mount Bathroom Sink  
**K-1997-SS1NR**

**Features**

- Single faucet hole
- Oval basin
- Sealed overflow drain
- Right-hand hole drilled for soap or lotion dispenser
- Includes wall hanger
- Antimicrobial finish inhibits the growth of mold-, mildew-, stain-, and odor-causing bacteria on the fixture surface. This product does not protect users against bacteria, viruses, or other disease organisms. Always clean and wash this product thoroughly before and after each use

**Material**

- Vitreous china

**Installation**

- Wall-mount
- Drilled for concealed arm carrier installation

**Optional Products/Accessories**

- K-8998 P-Trap
- K-1998 Shroud



ADA

CSA B651

OBC

**Codes/Standards**

ASME A112.19.2/CSA B45.1

ADA

ICC/ANSI A117.1

CSA B651

OBC

IAPMO Certification


**KOHLER® Vitreous China Bathroom Sink Lifetime Limited Warranty**

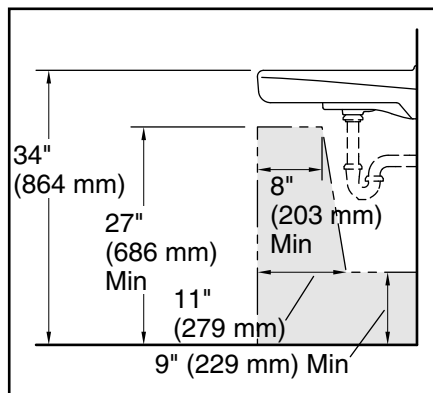
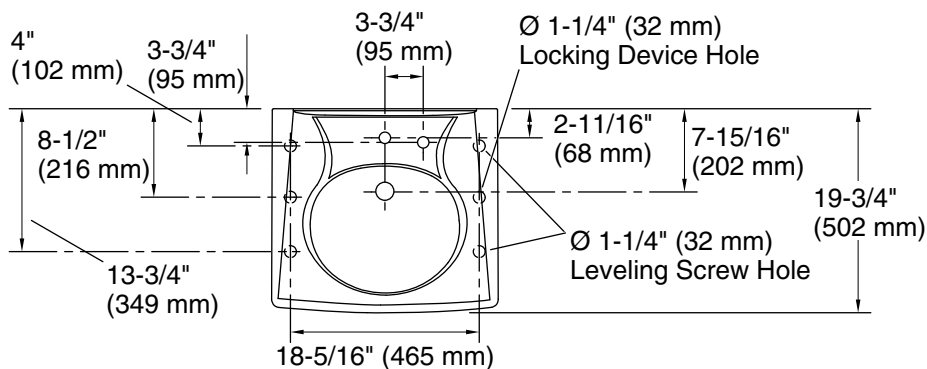
See website for detailed warranty information.

**Available Colors/Finishes**

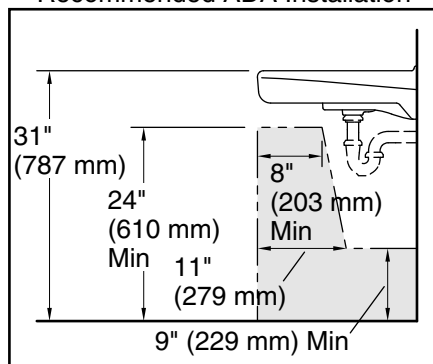
*Color tiles intended for reference only.*

**Color Code Description**

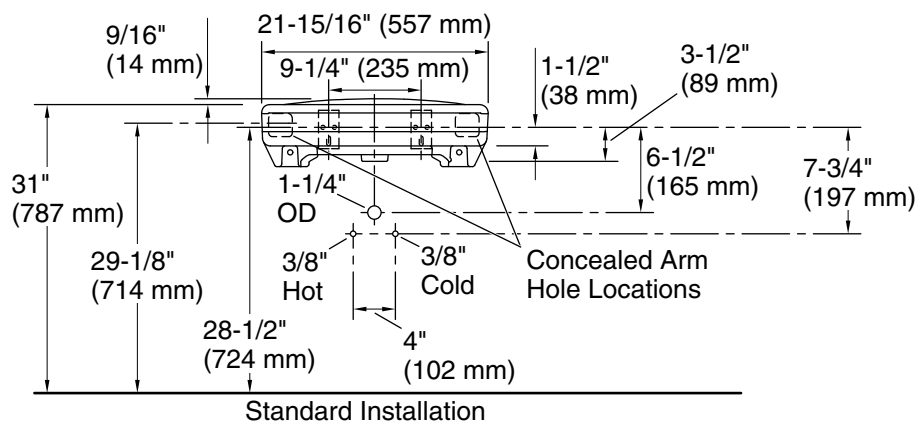
	0	White
---	---	-------



Recommended ADA Installation



Children's Environment 6-12 Yrs  
Recommended ADA Installation



Standard Installation

### Technical Information

All product dimensions are nominal.

Basin configuration:	Single Bowl
Bowl area (Only):	Length: 14-3/8" (365 mm) Width: 12-5/16" (313 mm) Water depth: 3-1/4" (83 mm)
With overflow:	Yes
Number of deck holes:	2
Faucet hole(s):	1-3/8" (35 mm)
Soap/Lotion hole:	1-1/4" (32 mm)
Drain hole:	1-3/4" (44 mm)

### Notes

Install this product according to the installation instructions.

ADA, OBC, CSA B651 compliant when installed to the specific requirements of these regulations.