

## Features

- With hanger
- Without overflow
- Single-hole drilling
- 1-15/16" x 19-3/4" (49 x 502 mm)
- Antimicrobial finish inhibits the growth of mold-, mildew-, stain-, and odor-causing bacteria on the fixture surface. This product does not protect users against bacteria, viruses, or other disease organisms. Always clean and wash this product thoroughly before and after each use

## Material

- Vitreous china

## Installation

- Wall-mount
- Drilled for concealed arm carrier installation

## Optional Products/Accessories

- K-8998 P-Trap
- K-1998 Shroud



ADA

CSA B651

OBC

## Codes/Standards

ASME A112.19.2/CSA B45.1

ADA

ICC/ANSI A117.1

CSA B651

OBC

IAPMO Certification


## KOHLER® One-Year Limited Warranty

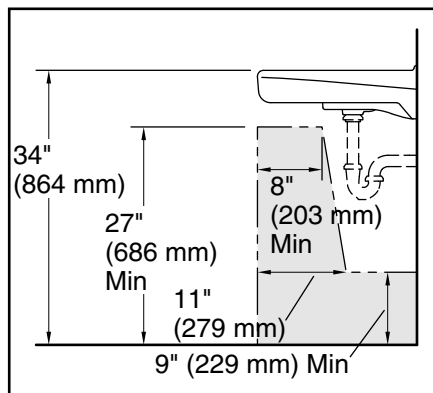
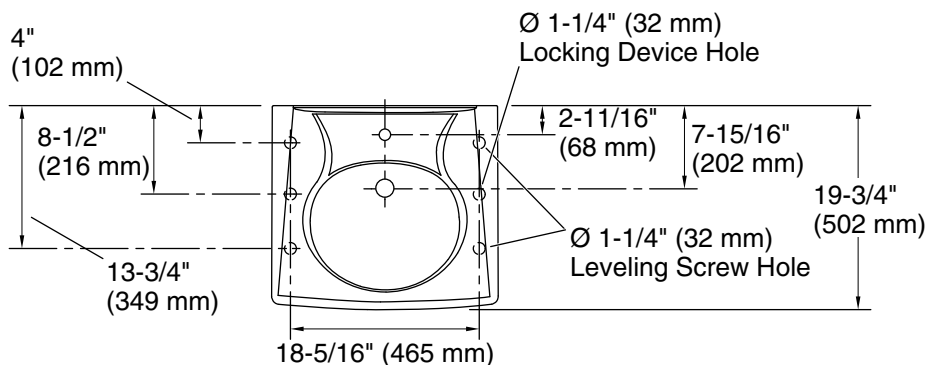
See website for detailed warranty information.

## Available Colors/Finishes

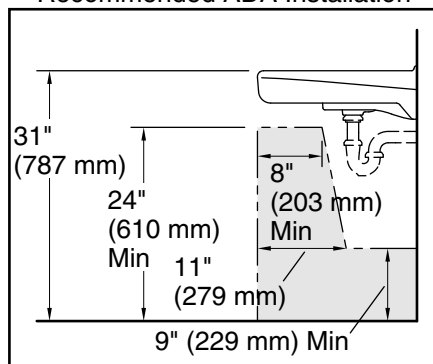
*Color tiles intended for reference only.*

Color	Code	Description
-------	------	-------------

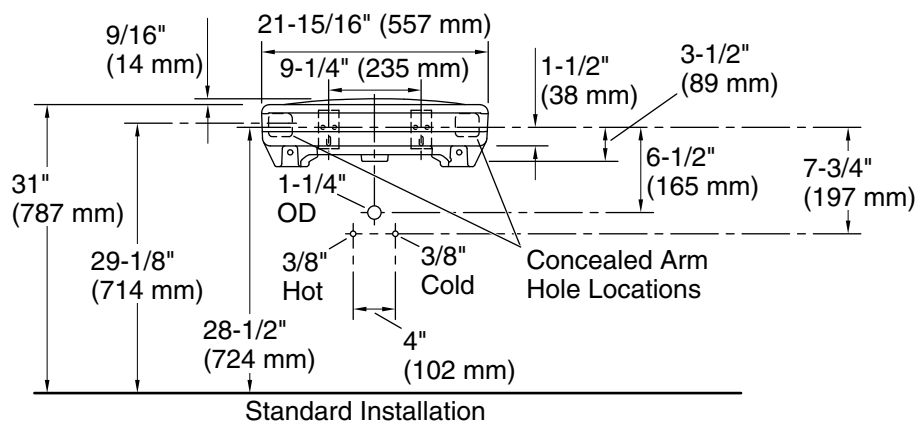
	0	White
---	---	-------



Recommended ADA Installation



Children's Environment 6-12 Yrs  
Recommended ADA Installation



Standard Installation

### Technical Information

All product dimensions are nominal.

Bowl configuration:	Single Bowl
Bowl area (Only):	Length: 14-3/8" (365 mm) Width: 12-5/16" (313 mm) Water depth: 3-1/4" (83 mm)
With overflow:	Yes
Number of deck holes:	2
Faucet hole(s):	1-3/8" (35 mm)
Drain hole:	1-3/4" (44 mm)

### Notes

Install this product according to the installation instructions.

ADA, OBC, CSA B651 compliant when installed to the specific requirements of these regulations.