

Features

- Antimicrobial finish inhibits the growth of mold-, mildew-, stain-, and odor-causing bacteria on the fixture surface. This product does not protect users against bacteria, viruses, or other disease organisms. Always clean and wash this product thoroughly before and after each use
- Ideal for healthcare and education installations
- Single faucet hole
- Oval basin
- Overflow drain
- Includes wall hanger

Material

- Vitreous china

Installation

- Wall-mount
- Drilled for concealed arm carrier installation



ADA

CSA B651

OBC

Codes/Standards

ASME A112.19.2/CSA B45.1

ADA

ICC/ANSI A117.1

CSA B651

OBC

IAPMO Certification


KOHLER® Vitreous China Bathroom Sink Lifetime Limited Warranty

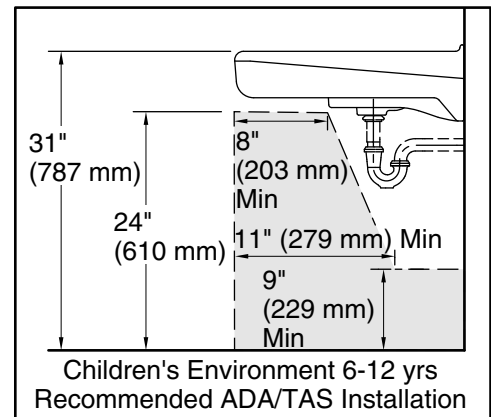
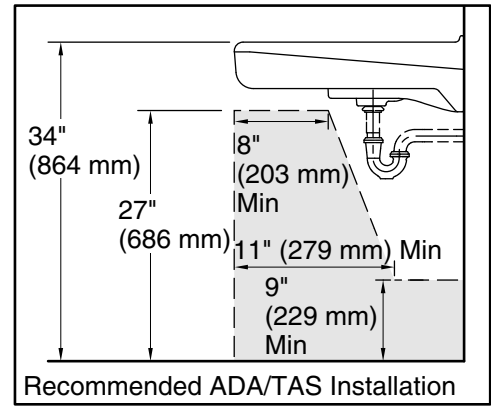
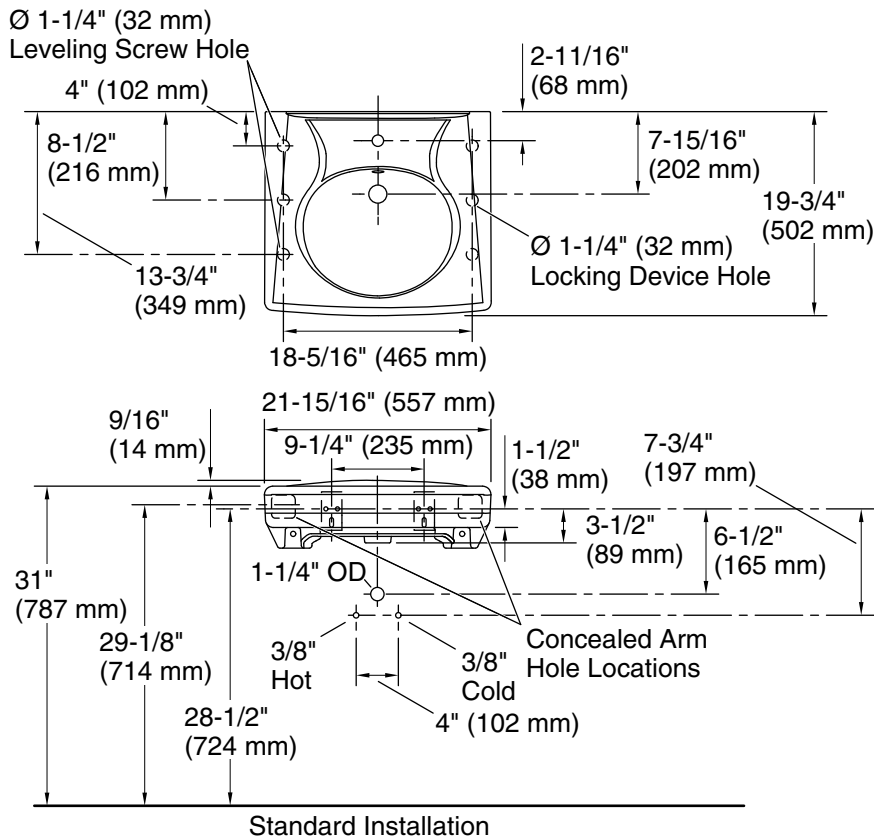
See website for detailed warranty information.

Available Colors/Finishes

Color tiles intended for reference only.

Color	Code	Description
-------	------	-------------

	0	White
---	---	-------



Technical Information

All product dimensions are nominal.

Basin configuration:	Single Bowl
Basin area:	Length: 14-3/8" (365 mm) Width: 12-5/16" (313 mm) Water depth: 3-1/4" (83 mm)
With overflow:	Yes
Number of deck holes:	1
Faucet hole(s):	1-3/8" (35 mm)
Drain hole:	1-3/4" (44 mm)

Notes

Install this product according to the installation instructions.

ADA, OBC, CSA B651 compliant when installed to the specific requirements of these regulations.