



# Brenham™

## Wall-mount Bathroom Sink With Shroud

### K-1999-1

#### Features

- Single faucet hole
- Oval basin
- Overflow drain
- Includes wall hanger
- Combination consists of the K-1997-1 basin and the K-1998 shroud

#### Material

- Vitreous china

#### Installation

- Wall-mount
- Drilled for concealed arm carrier installation

#### Recommended Products/Accessories

K-23726 Drain treatment  
K-23725 Cast iron cleaner

#### Optional Products/Accessories

K-8998 P-Trap



ADA

CSA B651

OBC

#### Codes/Standards

ASME A112.19.2/CSA B45.1

ADA

ICC/ANSI A117.1

CSA B651

OBC

IAPMO Certification

#### KOHLER® Vitreous China Bathroom Sink Lifetime Limited Warranty

See website for detailed warranty information.

#### Available Colors/Finishes

*Color tiles intended for reference only.*

Color	Code	Description
-------	------	-------------



0

White



96

Biscuit

1-800-4KOHLER (1-800-456-4537)

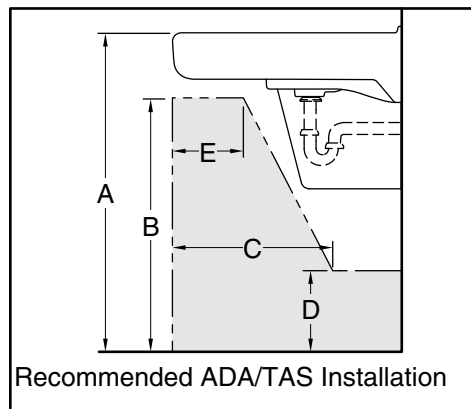
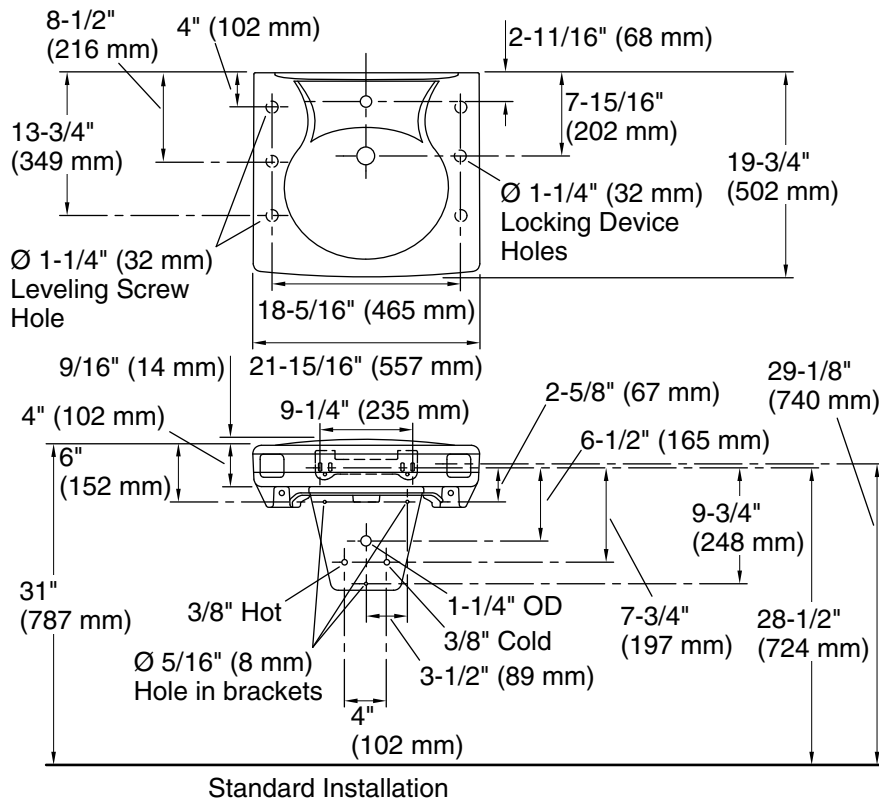
Kohler Co. reserves the right to make revisions without notice to product specifications.

For the most current Specification Sheet, go to [www.kohler.com](http://www.kohler.com) USA or [www.kohler.ca](http://www.kohler.ca) Canada

10-21-2024 22:24 - US/CA

THE BOLD LOOK  
OF **KOHLER**®

### Concealed Arm Hole Location



### Recommended ADA/TAS installation:

	ADA and TAS	Children's Environment ADA and TAS Ages 6-12 yrs
A	34" (864 mm)	31" (787 mm)
B	27" (686 mm)	24" (610 mm)
C	11" (279 mm)	11" (279 mm)
D	9" (229 mm)	9" (229 mm)
E	8" (203 mm)	8" (203 mm)

### Technical Information

All product dimensions are nominal.

Basin configuration:	Single Bowl
Bowl area:	Length: 14-3/8" (365 mm) Width: 12-5/16" (313 mm) Water depth: 3-1/4" (83 mm)
Number of deck holes:	1
Faucet hole(s):	1-3/8" (35 mm)
Drain hole:	1-3/4" (44 mm)

### Notes

Install this product according to the installation instructions.

ADA and TAS standards permit parallel approach for children ages 5 years and younger.

ADA, OBC, CSA B651 compliant when installed to the specific requirements of these regulations.