

### Features

- Antimicrobial finish inhibits the growth of mold-, mildew-, stain-, and odor-causing bacteria on the fixture surface. This product does not protect users against bacteria, viruses, or other disease organisms. Always clean and wash this product thoroughly before and after each use
- Ideal for healthcare and education installations
- 4" (102 mm) centerset faucet holes
- Oval basin
- Overflow drain
- Includes wall hanger
- Combination consists of the K-1997-SS4 basin and the K-1998-SS shroud

### Material

- Vitreous china

### Installation

- Wall-mount
- Drilled for concealed arm carrier installation

### Recommended Products/Accessories

- K-23726 Drain treatment
- K-23725 Cast iron cleaner

### Optional Products/Accessories

- K-8998 P-Trap



ADA

CSA B651

OBC

### Codes/Standards

ASME A112.19.2/CSA B45.1  
ADA  
ICC/ANSI A117.1  
CSA B651  
OBC


### KOHLER® Vitreous China Bathroom Sink Lifetime Limited Warranty

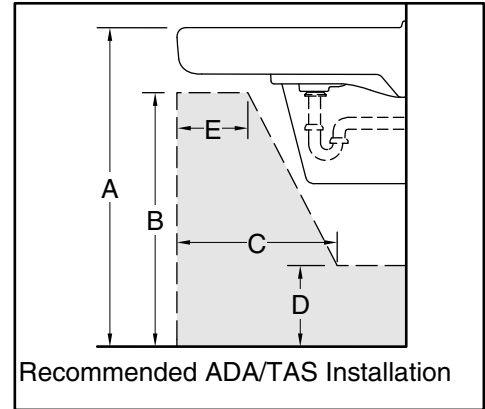
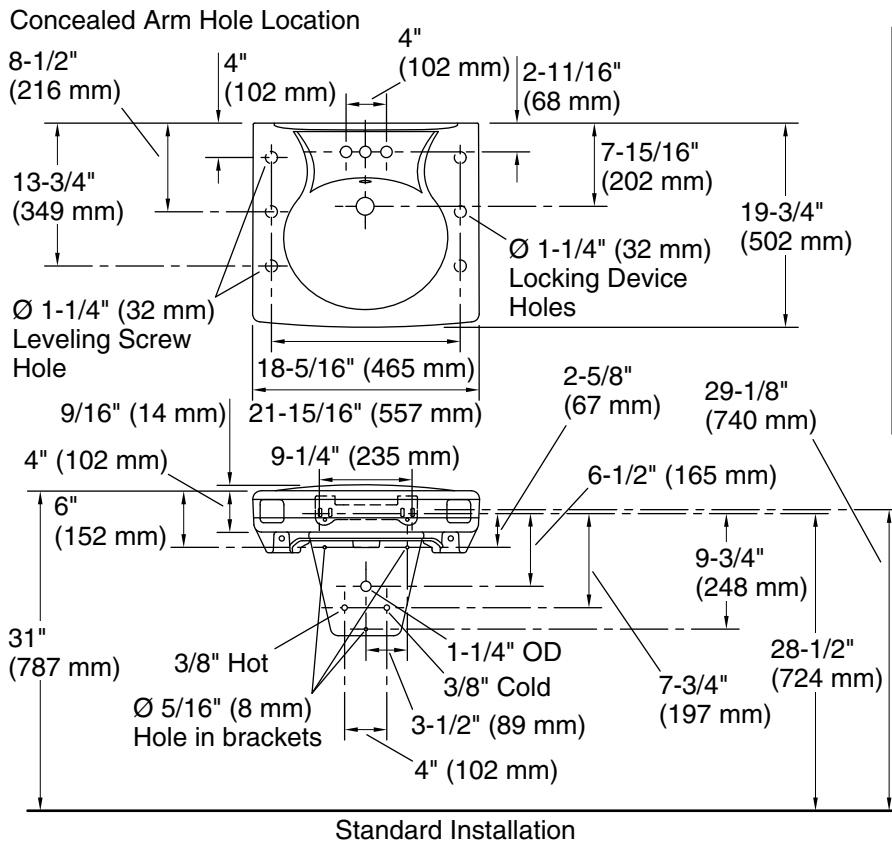
See website for detailed warranty information.

### Available Colors/Finishes

*Color tiles intended for reference only.*

Color	Code	Description
-------	------	-------------

	0	White
---	---	-------



Recommended ADA/TAS installation:		
	ADA and TAS	Children's Environment ADA and TAS Ages 6-12 yrs
A	34" (864 mm)	31" (787 mm)
B	27" (686 mm)	24" (610 mm)
C	11" (279 mm)	11" (279 mm)
D	9" (229 mm)	9" (229 mm)
E	8" (203 mm)	8" (203 mm)

### Technical Information

All product dimensions are nominal.

Basin configuration:	Single Bowl
Center(s):	4" (102 mm)
Bowl area:	Length: 14-3/8" (365 mm) Width: 12-5/16" (313 mm) Water depth: 3-1/4" (83 mm)
With overflow:	Yes
Number of deck holes:	3
Faucet hole(s):	1-3/8" (35 mm)
Drain hole:	1-3/4" (44 mm)

### Notes

Install this product according to the installation instructions.

ADA and TAS standards permit parallel approach for children ages 5 years and younger.

ADA, OBC, CSA B651 compliant when installed to the specific requirements of these regulations.