

BEFORE YOU BEGIN

安装之前

- Read installation guide in illustration and word file carefully, and install the tank according to instructions in the guide to avoid product damage and installation inconvenience caused by inappropriate operation.
- All data contained is based upon the last product information available at the time of publication. Kohler Company reserves the right to implement changes of product characteristics, packaging and availability at any time without further notice.
- Do not apply erosive cleanser and solvent in the tank, which will damage tank spares and result in leakage in the tank. Kohler will not be responsible for any damage related to above mentioned cleanser or solvent. Mild detergent can be used.
- Do not apply spares that are not provided by Kohler, and please note that glass adhesive tape shall not be applied to the installation of Kohler spares. Kohler will not be responsible for any damage related to installation with spares not provided by Kohler.
- This product complies with GB26730-2011.
- 请仔细阅读图示说明及文字安装说明, 按照说明书的步骤安装, 以避免产品损坏或不良操作导致安装不便。
- 所有的资料是按出版时的最新产品资料编写的, 本公司保留在任何时候不需通知便可更改产品的特征、包装或供应产品的权利。
- 请不要在水箱内使用具有腐蚀性的非中性清洁剂或溶剂, 否则会严重地损坏水箱配件, 导致漏水。因使用上述清洁剂或溶剂而使水箱不能正常使用或出现其它连带性的损坏, 本公司恕不负责。但中性清洁剂可以使用。
- 请不要采用非本公司提供的零件, 如玻璃胶等不能用于本公司配件的安装。因使用非本公司提供的零件安装而本公司产品导致的损坏, 本公司恕不负责。
- 本产品符合GB26730-2011。

Ordering Information

HYDRO-TOWER 200 PNE IWT 2.6/4L	K-20006T-PNE
HYDRO-TOWER 200 PNE IWT 2.6/4L	K-20006K-PNE
HYDRO-TOWER 200 PNE IWT 3/4.5L	K-20007T-PNE
HYDRO-TOWER 200 PNE IWT 3/4.5L	K-20007K-PNE
HYDRO-TOWER 200 PNE IWT 3/6L	K-20008T-PNE
HYDRO-TOWER 200 PNE IWT 3/6L	K-20008K-PNE
HYDRO-TOWER 200 PNE IWT W/O FRAME 2.6/4L	K-78073T-PNE
HYDRO-TOWER 200 PNE IWT W/O FRAME 2.6/4L	K-78073K-PNE
HYDRO-TOWER 200 PNE IWT W/O FRAME 3/4.5L	K-78074T-PNE
HYDRO-TOWER 200 PNE IWT W/O FRAME 3/4.5L	K-78074K-PNE
HYDRO-TOWER 200 PNE IWT W/O FRAME 3/6L	K-78075T-PNE
HYDRO-TOWER 200 PNE IWT W/O FRAME 3/6L	K-78075K-PNE
PEBBLE Pneumatic In-Wall Tank Faceplate (For Separate Purchase)	K-20341T-PNE

订购信息

海德丽200气动入墙式隐藏水箱,2.6/4L	K-20006T-PNE
海德丽200气动入墙式隐藏水箱,2.6/4L	K-20006K-PNE
海德丽200气动入墙式隐藏水箱,3/4.5L	K-20007T-PNE
海德丽200气动入墙式隐藏水箱,3/4.5L	K-20007K-PNE
海德丽200气动入墙式隐藏水箱,3/6L	K-20008T-PNE
海德丽200气动入墙式隐藏水箱,3/6L	K-20008K-PNE
海德丽200气动入墙式隐藏水箱,2.6/4L(不含固定支架)	K-78073T-PNE
海德丽200气动入墙式隐藏水箱,2.6/4L(不含固定支架)	K-78073K-PNE
海德丽200气动入墙式隐藏水箱,3/4.5L(不含固定支架)	K-78074T-PNE
海德丽200气动入墙式隐藏水箱,3/4.5L(不含固定支架)	K-78074K-PNE
海德丽200气动入墙式隐藏水箱,3/6L(不含固定支架)	K-78075T-PNE
海德丽200气动入墙式隐藏水箱,3/6L(不含固定支架)	K-78075K-PNE
佩欧珀隐藏水箱面板(气动版)(可选配)	K-20341T-PNE

KOHLER CHINA INVESTMENT CO., LTD NO.158, JIANG CHANG SAN ROAD,

JING'AN DISTRICT, SHANGHAI, PRC POST CODE: 200436

科勒(中国)投资有限公司 上海市静安区江场三路158号 邮编: 200436

Function Explanation

- Anti flow-backwards
- Adjustment of inlet water level
- Adjustment of flushing volume
- Single/double gear flushing
- Assemble, disassemble and maintenance can be done without tools.

功能说明

- 防倒流功能
- 进水水位可调节功能
- 排水水量可调节功能
- 双档冲水功能
- 无需工具用手即可实现拆装维修。

Design And Installation Concept Of In-wall Tank

- Installation of in-wall tank is much easier and nice-looking comparative to that of traditional tank. Meanwhile, the space layout will be more reasonable due to the application of in-wall tank pipes and connectors.
- The most remarkable advantage of in-wall tank is that the installation will never be limited to certain area, and can be installed wherever as you wish, which will make the bathroom layout more reasonable and nice-looking, and make good use of every inch of the bathroom space.

隐藏水箱设计安装概念

- 隐藏水箱提供了简单快捷的安装方式，与传统的安装方式相比更完善、更美观。同时由于使用了隐藏的管路布置，使空间布局更为合理。
- 使用隐藏水箱的显著优点是不再限于某一固定的地方安装，可以灵活地设置，从而可以使整个浴室布局更为合理、更为美观，充分利用每一寸可用空间。

Advantages Of In-wall Tank

- Made of macromolecular materials that prevents corrosion and leaking.
- Advanced water tank fitting, which makes possible the adjustment of the water discharge and double flush.
- Will not affect the structure of the wall and provides excellent sound insulation.
- Easy installation and time efficient.
- Do not need to prepare any other spare parts.
- Easy maintenance and servicing.
- Clean, garbage free, and space saving.

隐藏水箱的优点

- 抗冲击，耐腐蚀的高分子材质水箱，杜绝漏水的可能性。
- 先进的水箱配件，可以调节排水量，以及具有双档冲水的技术功能。
- 不影响墙体结构，出色的隔音效果。
- 安装简便、快捷，省时省力。
- 无需准备其它的安装配件。
- 维护简易，无需改动墙体。
- 卫生清洁，无垃圾陈积，节省空间。

SPECIFICATIONS

规格

Liter per flushing 冲洗水量	K-20008T-PNE K-20008K-PNE K-78075T-PNE K-78075K-PNE	Full flushing volume: 6L Half flushing volume: 3L 大档水量: 6L 小档水量: 3L
	K-20007T-PNE K-20007K-PNE K-78074T-PNE K-78074K-PNE	Full flushing volume: 4.5L Half flushing volume: 3L 大档水量: 4.5L 小档水量: 3L
	K-20006T-PNE K-20006K-PNE K-78073T-PNE K-78073K-PNE	Full flushing volume: 4L Half flushing volume: 2.6L 大档水量: 4L 小档水量: 2.6L
Temperature 使用温度	Environmental temperature: 1°C~55°C, Water temperature: 1°C~45°C 环境温度: 1°C~55°C, 水温1°C~45°C	

RECOMMENDES TOOLS AND MATERIALS 所需工具及材料

- Open end/adjustable wrenches
 - Allen wrench
 - Knife
 - File
 - Hacksaw
 - Masonry
 - Level
 - Screw driver
 - Insulation tape
 - Tape measure
 - Seal tape
 - Bushing
 - Lubricant
- 开口/活动扳手
 - 内六角扳手
 - 美工刀
 - 锉刀
 - 钢锯
 - 冲击钻
 - 水平尺
 - 十字螺丝刀
 - 绝缘胶布
 - 卷尺
 - 生料带
 - 电工套管
 - 润滑油

ROUGHING-IN

尺寸图

Reference Value
参考值

UNIT: mm
单位: 毫米

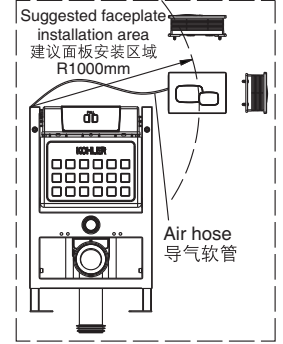
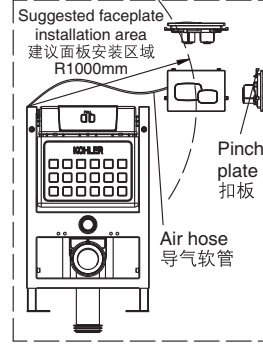
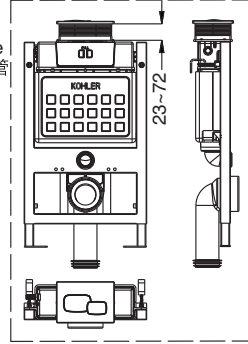
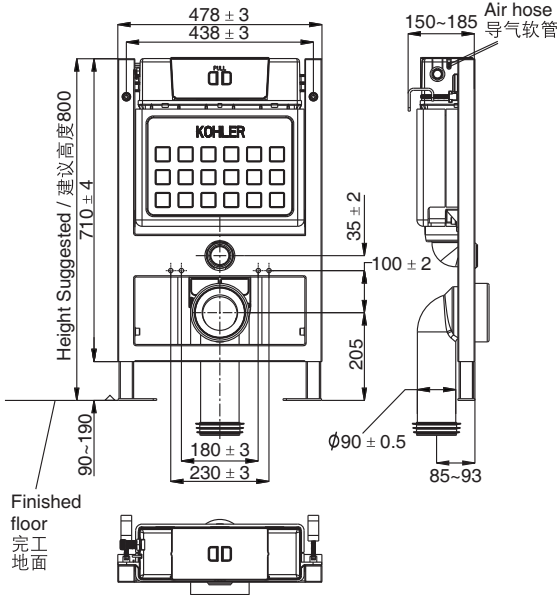
K-20006T-PNE/K-20006K-PNE/K-20007T-PNE/K-20007K-PNE/K-20008T-PNE/K-20008K-PNE

Installed with K-20341T-PNE
与气动面板K-20341T-PNE安装

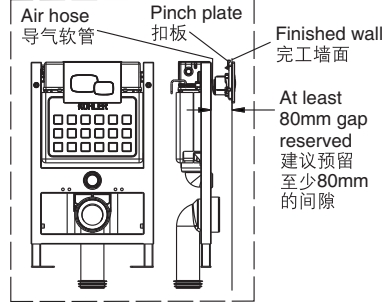
Method one:
Press from top
安装方式一:
顶按

Method two:
Remote plate installation
安装方式二:
远程扣板安装

Method three:
Remote installation
of mask
安装方式三:
远程方外罩安装



Method four:
Press from front
安装方式四:
前按扣板安装



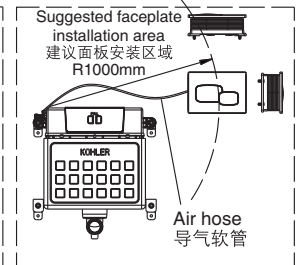
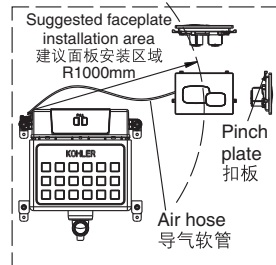
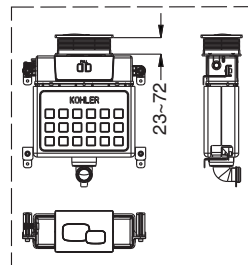
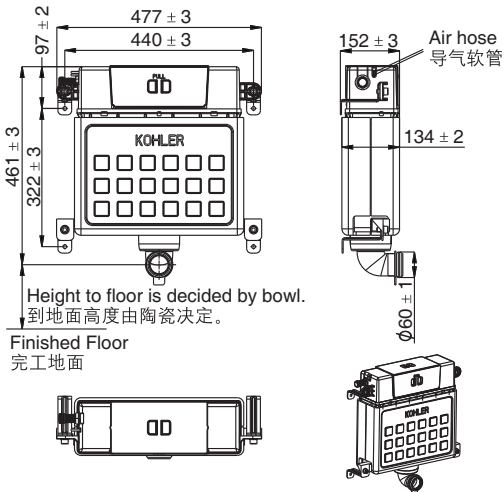
K-78073T-PNE/K-78073K-PNE/K-78074T-PNE/K-78074K-PNE/K-75075T-PNE/K-78075K-PNE

Installed with K-20341T-PNE
与气动面板K-20341T-PNE安装

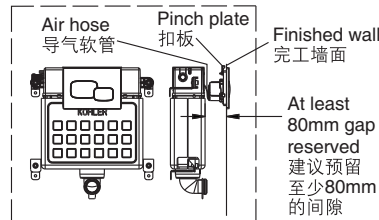
Method one:
Press from top
安装方式一:
顶按

Method two:
Remote plate installation
安装方式二:
远程扣板安装

Method three:
Remote installation
of mask
安装方式三:
远程方外罩安装



Method four:
Press from front
安装方式四:
前按扣板安装

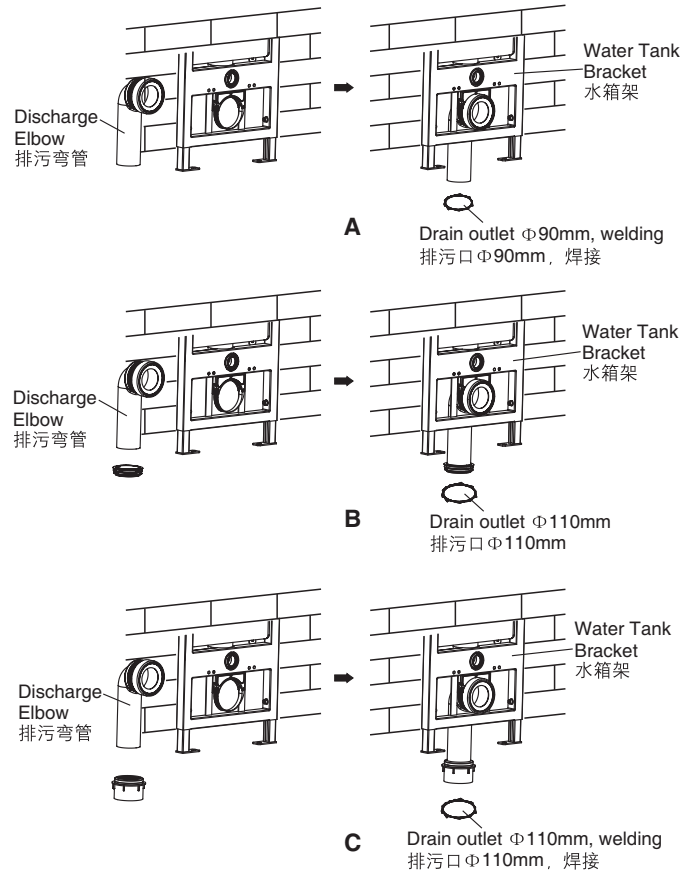
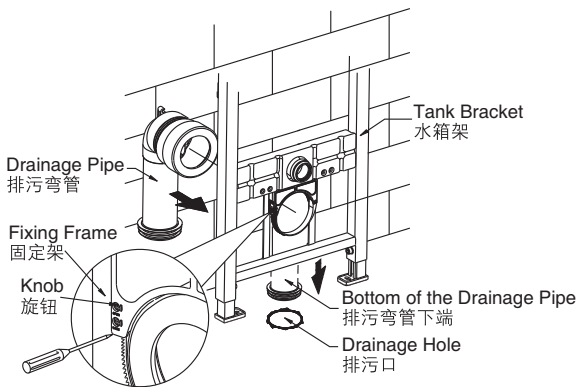


Floor Discharge Installation Method

There are three methods (A, B and C) for drainage pipe installation. Loosen the knob "open" on the fixing frame, put the drainage pipe into the fixing frame, then adjust and tighten the knob "lock". Fill the bottom of the drainage pipe in the drainage hole .

地排安装方法

根据实际情况有三种排污管安装方法A、B和C。把固定架的旋钮“open”旋松，将排污弯管装进固定架上，然后调整好位置后用螺丝刀旋紧“lock”使排污弯管紧固即可。最后再把排污弯管的下端塞进排污口上。



Kohler reserves the right to change marked dimensions without prior notice.
科勒公司保留随时变更图中标示尺寸的权利，无需另行通知。

INSTALLATION

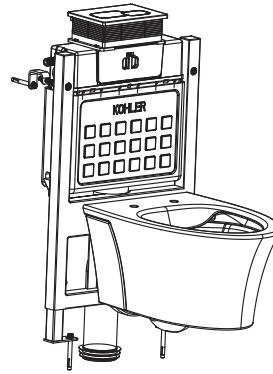
安装

Way of Installation

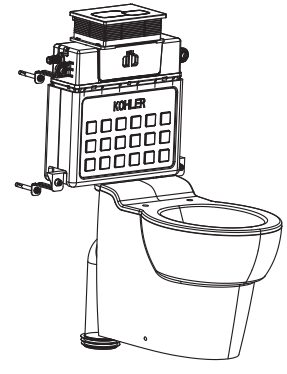
There are two ways to install this product: in-wall tank with frame & in-wall tank without frame

安装方式

本产品具有两种安装方式：入墙式隐藏水箱(含固定支架)座便器
入墙式隐藏水箱(不含固定支架)座便器



In-wall Tank With Frame
入墙式隐藏水箱(含固定支架)座便器



In-wall Tank Without Frame
入墙式隐藏水箱(不含固定支架)座便器

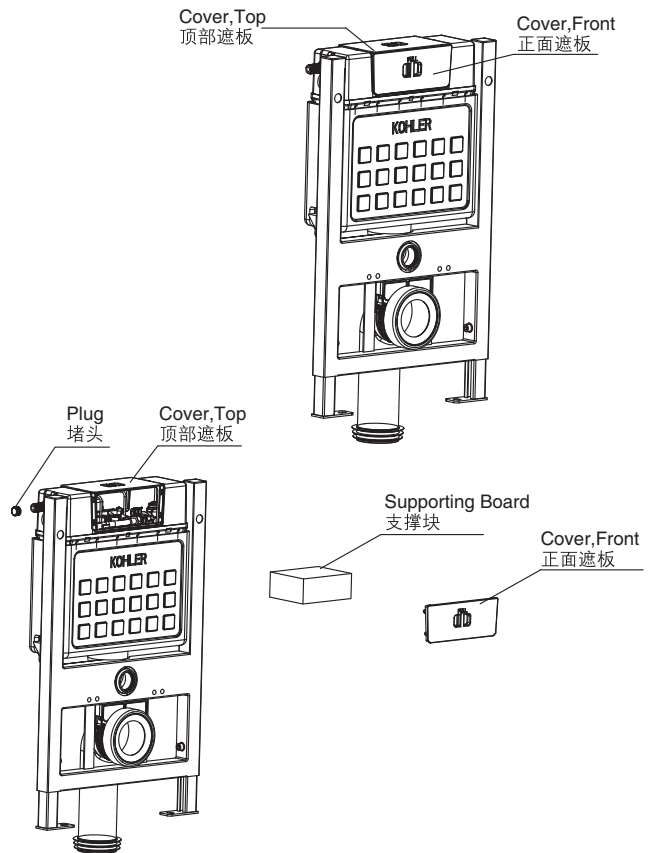
Installation For In-wall Tank With Frame 入墙式隐藏水箱(含固定支架)座便器的安装

A. Installation of In-wall Tank

A. 隐藏水箱的安装

1. Remove in-wall tank from packing box. Remove front cover board or top cover board inside water tank first as shown. Then remove support block and plug above bracket assembly.

1. 从包装箱中取出隐藏水箱，如图首先把水箱里的正面遮板或顶部遮板取下，再取出支架组件上方的支撑块和堵头。

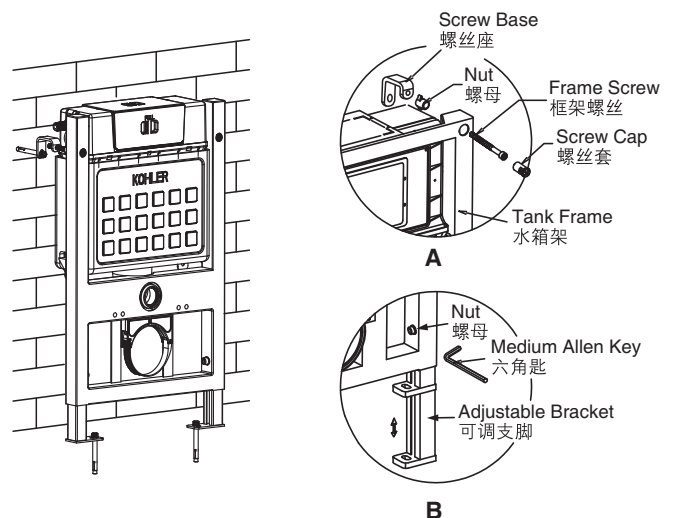


2. Insert the frame screw and screw cap in the holes of fixing frame, lock the frame screw with nut, then tighten the frame screws on the fixing frame with medium Allen key as shown in illustration A.

Tighten the bolts with medium Allen key as shown in illustration B, and adjust the height of the adjustable bracket according to customer's requirements.

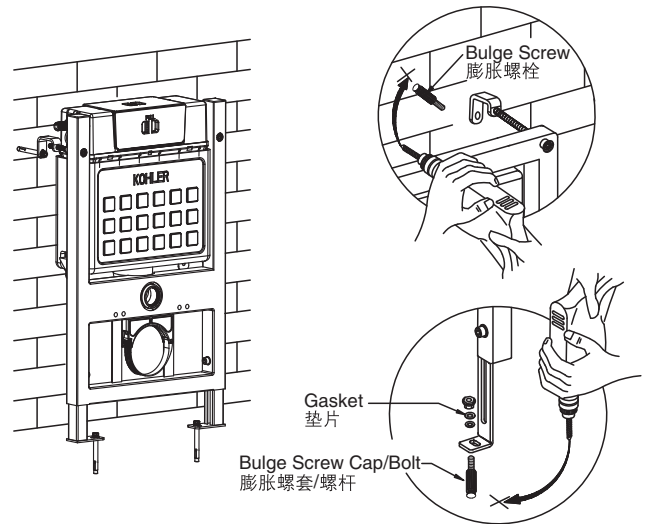
2. 如图A将框架螺丝连同螺丝套装在水箱架小孔内。然后将螺母锁紧在框架螺丝上固定，然后用内六角扳手拧紧在水箱架上。

如图B用六角匙拧紧螺母，使可调支脚可以按照客户的理想高度进行调节。



3. Drill four holes with diameter of 10mm and depth of 80mm with churn drilling as shown, and fill in the holes with bulge screw and tighten the screw.

3. 如图用冲击钻钻四个 \varnothing 10mm深80mm的小孔，然后装上膨胀螺栓，拧紧螺母。

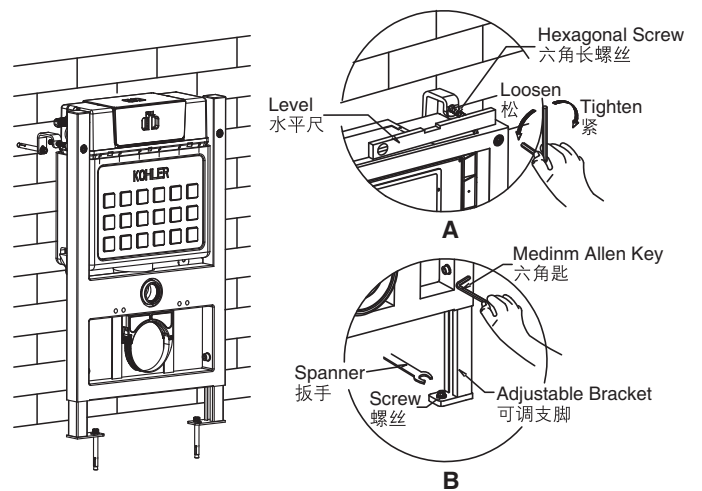


4. Tighten the hexagonal long screw with medium Allen key as shown in illustration A. Tighten the screw of adjustable brackets with medium Allen key as shown in illustration B, and tighten the long screw with spanner.

NOTE: Ensure the tank to remain level.

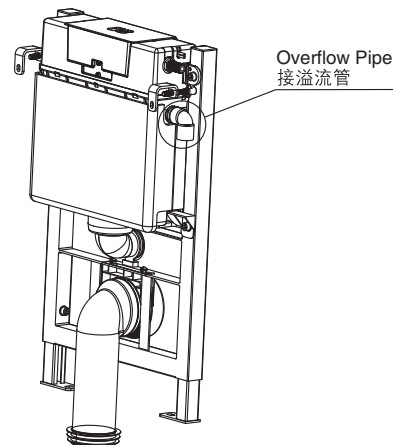
4. 如图A用六角匙把六角长螺丝拧紧。如图B用六角匙将可调支架的螺丝拧紧，再用扳手拧紧螺丝。

注：水箱一定要保持平衡。



Connect with overflow pipe on the side when installing K-20006K-PNE/K-20008K-PNE.

K-20006K-PNE/K-20008K-PNE施工时侧边接溢流管。

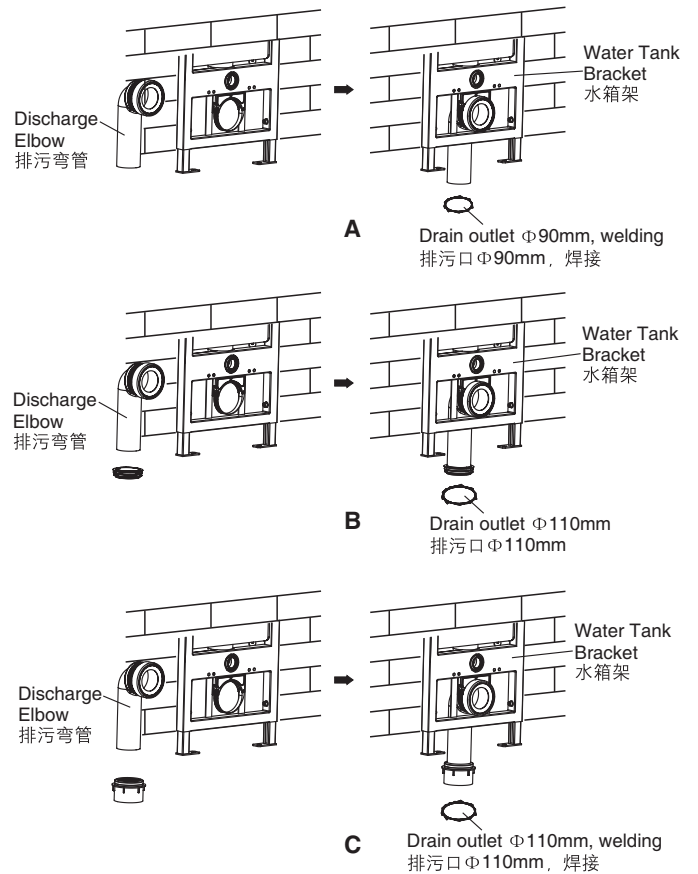
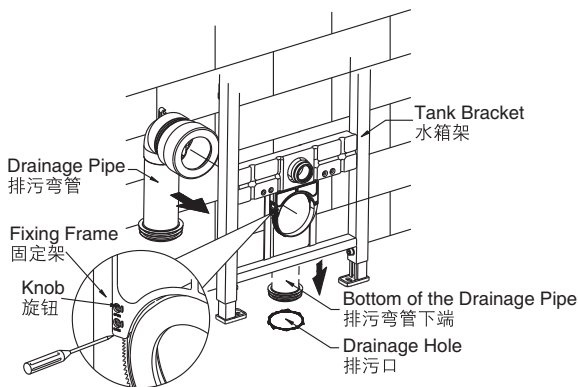


B. Floor Discharge Installation Method

B. 地排安装方法

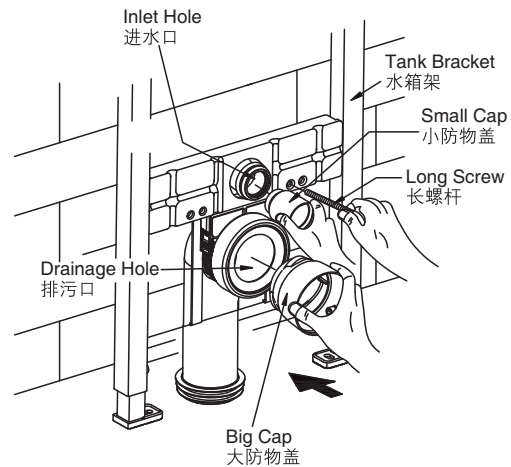
1. There are three methods (A, B and C) for drainage pipe installation. Loosen the knob "open" on the fixing frame, put the drainage pipe into the fixing frame, then adjust and tighten the knob "lock". Fill the bottom of the drainage pipe in the drainage hole.

1. 根据实际情况有三种排污管安装方法A、B和C。把固定架的旋钮“open”旋松，将排污弯管装进固定架上，然后调整好位置后用螺丝刀旋紧“lock”使排污弯管紧固即可。最后再把排污弯管的下端塞进排污口上。



2. Tighten the long screw into the holes of the tank bracket and cover the drainage hole with the big cap, cover the inlet hole with the small cap.

2. 如图将长螺杆旋入水箱架的螺丝孔上，再将大防物盖装在排污口上，小防物盖装在进水口上。

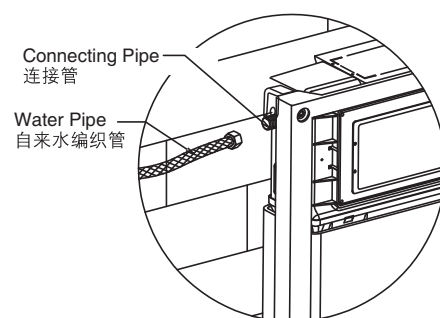


3. Connect tap water braided tube on the top of water tank for water supply as shown.

Note: 1. Ensure water tank internal valve is OFF.
2. Suggestion: connect a temporary rubber or plastic hose on valve, flush water supply pipeline. Ensure water is clean, no residual sand stone or fouling inside pipeline.

3. 如图所示将自来水编织管装在水箱连接管上供水。

注: 1. 确保水箱内部进水角阀为关闭状态。
2. 建议在连接供水时，在角阀上连接一个临时橡皮或塑料软管，冲洗供水管道，确保管路中的水干净，管道内无沙石、垢污等。



4. Access Panel Installation Methods:

There are four ways to install access panel:

Method one: Press from top

Method two: Remote plate installation: fix four plates with screws

Method three: Remote installation of mask

Method four: Press from front: fix four plates with screws

4. 检修口安装方法:

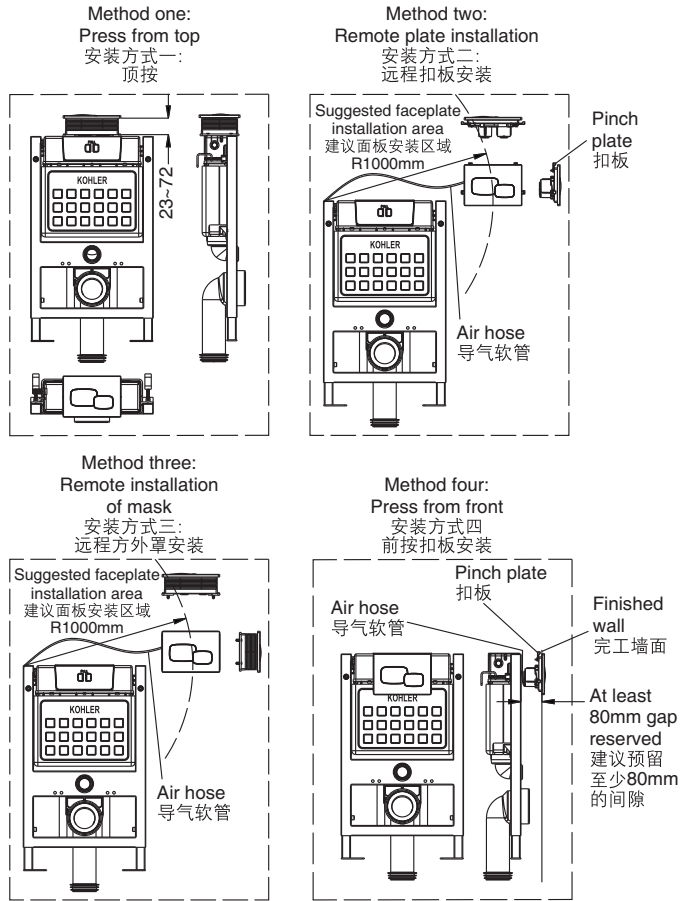
首先根据面板安装的实际情况有四种安装方式:

安装方式一: 顶按

安装方式二: 远程扣板安装: 四个扣板通过螺丝固定

安装方式三: 远程方外罩安装

安装方式四: 前按扣板安装: 四个扣板通过螺丝固定

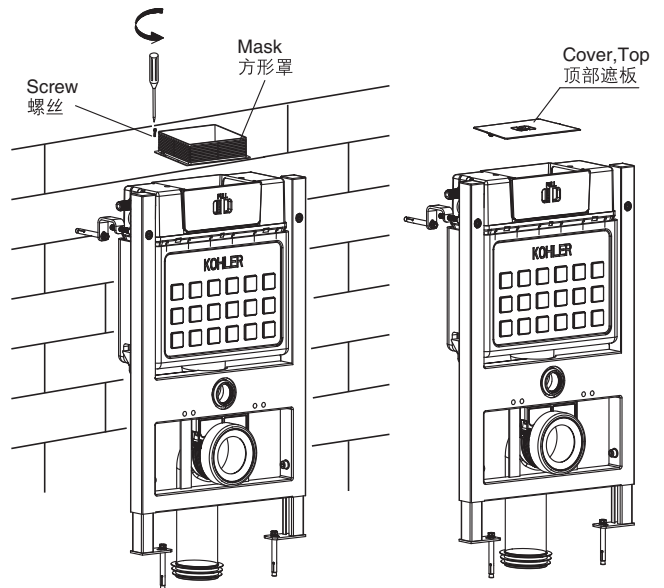


5. Method one: Install mask when pressing from top

1) Remove top plate, then install the rectangular shield on the top of the tank, and tighten the screw to fix the mask to the tank.

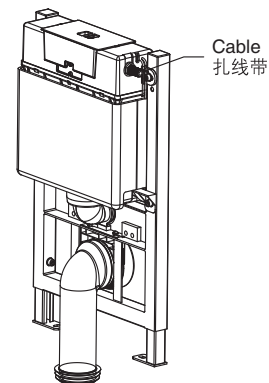
5. 面板安装方式一: 顶按时, 方外罩安装

1) 如图首先取下顶部遮板, 然后将方外罩装在水箱的顶部, 再拧紧螺丝使方外罩紧固在水箱上。



2) Cut apart the cable of the air hose and pull it out from the mask.

2) 将导气软管的扎线带剪开, 导气软管从方外罩引出。



6. Methods two and three: During remote installation, fix the cover onto the tank and pull the air hose to the panel. Reserve access panel at front or top to ensure removal and installation of cover.

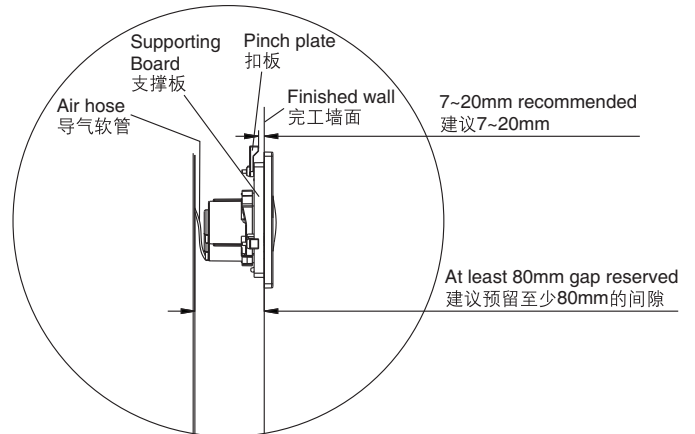
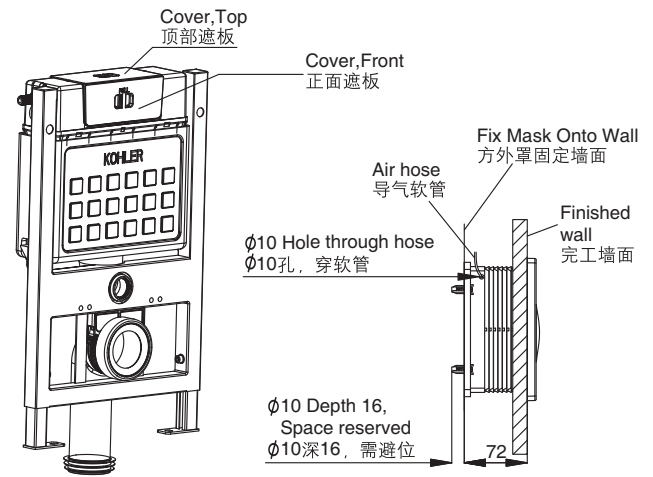
6. 面板安装方式二和三，远程安装时，将遮板装到水箱，导气软管引到面板安装的位置。水箱遮板前方或上方预留检修口，确保遮板能从检修口取出和安装。

Method two: During remote plate installation, 7~20mm thickness is recommended for the wall of the pinch plate and at least 80mm gap is reserved.

Method three: During remote installation of mask, 4 holes with diameter of 10mm and depth of 16mm are needed to be reserved at the locating hose. Drill 10mm holes through air hose on the side of mask.

面板安装方式二，远程扣板安装，扣板处假墙厚度建议7~20mm，预留最小间隙80mm。

面板安装方式三，远程方外罩安装，定位管处需预留4个直径10mm深16mm孔，方外罩侧边钻直径10mm孔穿导气软管。



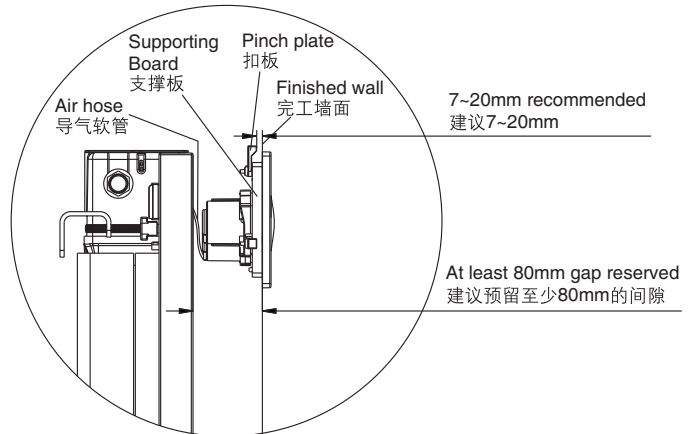
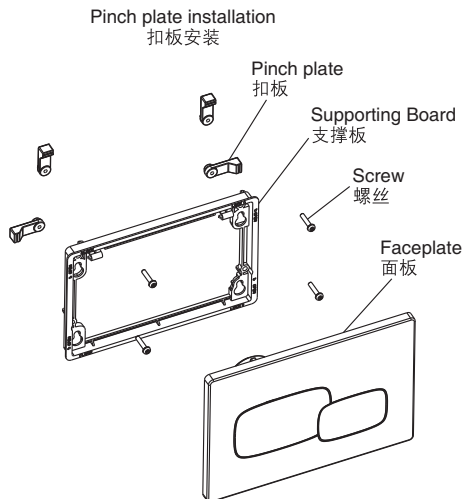
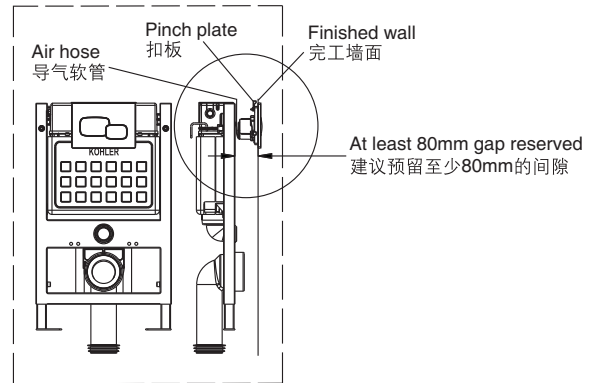
7. Method four: Cut apart the cable of the air hose. Pull it out from the front of the tank and meanwhile reserve the access panel. Fix the four plates with screws and then fix the supporting board.

Note: No direct contact between the faceplate and the tank. 7~20mm thickness recommended for the wall of the pinch plate.

7. 面板安装方式四：前按扣板安装时，将导气软管的扎线带剪开，导气软管从方外罩前方，并预留检修口引出，四个扣板通过螺丝固定，进而固定支撑板。

注：面板与水箱不直接接触。
扣板处假墙厚度建议7~20mm。

Method four:
Press from front
安装方式四
前按扣板安装

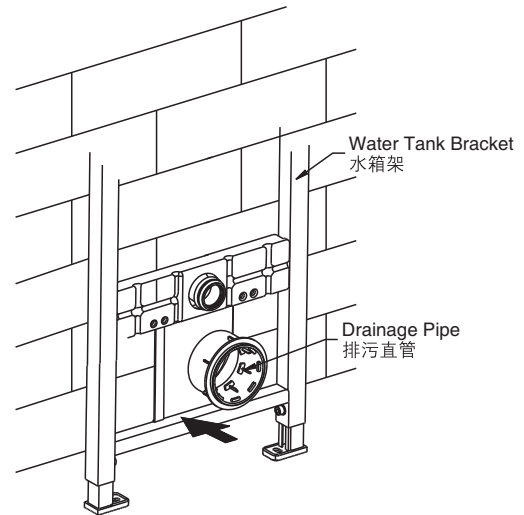


C. Installation of P-trap

C. 横排安装方法

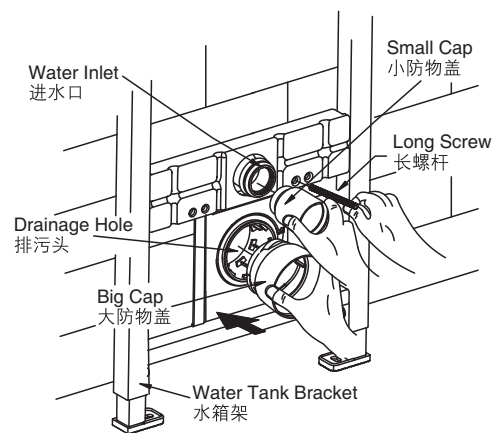
1. Insert drainage pipe with inner diameter $\Phi 110\text{mm}$ into drain elbow and weld.

1. 将排污直管装入内径 $\Phi 110\text{mm}$ 的排污管道，焊接。



2. Tighten the long screw into the holes of the tank bracket and cover the drainage hole with the big cap, cover the inlet hole with the small cap.

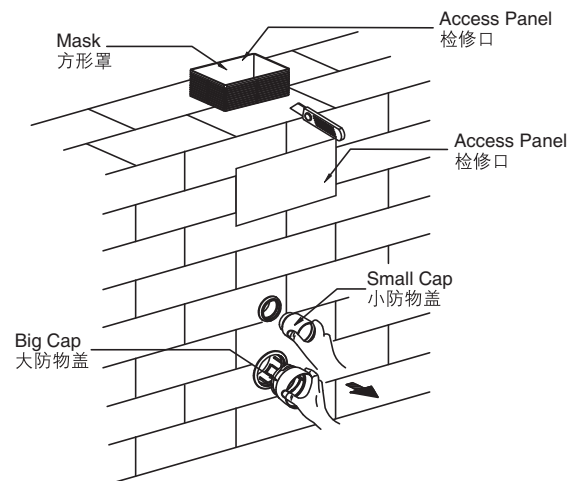
2. 如图将长螺杆旋入水箱架的螺丝孔中，再将大防物盖装在排污头上，小防物盖装在进水口上。



3. When finishing the brickwork of the wall, take out the big and small caps, and eliminate unwanted mask with a sharp knife, if there is mask.

Note: Reserve access panel at front or top of the tank.

3. 如图砌完墙后。将大、小防物盖取出，然后根据需要，有方外罩时用水口刀把方形罩多余的长度锯掉。
注：水箱的前方或者上方预留检修口。

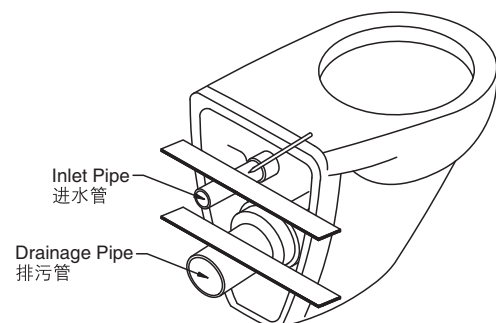


D. Installation of Toilet

D. 座便器安装方法

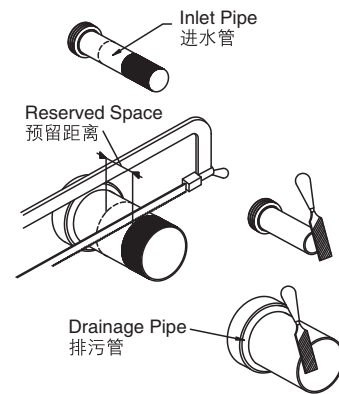
1. Install the inlet pipe to the lavatory as shown, and mark on the pipes at the back side of the tank with a ruler and a pencil, and reserve appropriate space according to the distance from the back of the tank to the inlet hole on the wall.

1. 按图将排污管、进水管装在座便器上，用直尺放在座便器后面的排污管、进水管用铅笔作标记。再根据座便器后面到墙壁排污头的实际情况作预留距离。



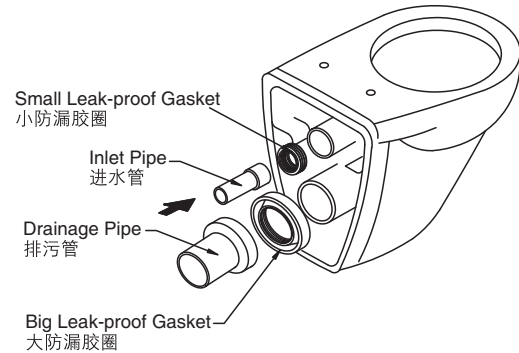
2. Eliminate unwanted part of the inlet pipe according to the marks of reserved space ,and rasp a smooth surface with files.

2. 如图在排污管、进水管已作标记的后端预留的位置上将多余部分锯掉。然后再用锉刀将锯掉的面锉平整并倒角。



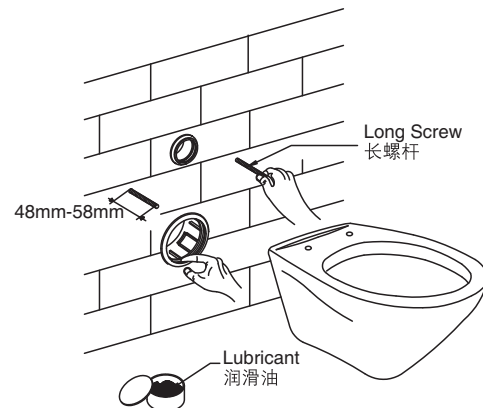
3. Install the big and small leak-proof gaskets on inlet pipe and outlet pipe ,then install it to corresponding pipes on the toilet tank.

3. 如图将座便器的排污管、进水管装上大、小防漏胶圈，然后装在座便器的相对应管道。



4. 48mm-58mm of the long screw shall be reserved outside the wall as shown in the illustration. if the long screw outside the wall is not long enough or much longer than that needed, it should be adjusted with screwdriver or by hand. Then apply lubricant to drainage pipe and limber pipe to ensure a smooth installation.

4. 如图长螺杆在墙壁上凸出来的尺寸应该保留48mm-58mm。假如长螺杆长度不够或过长就用手或螺丝刀适量调节。然后在排污头、排水孔上涂上润滑油，使排污管、排水管安装顺畅。



5. Install the toilet as shown in the illustration, and use a spirit level to ensure the lavatory to remain level.

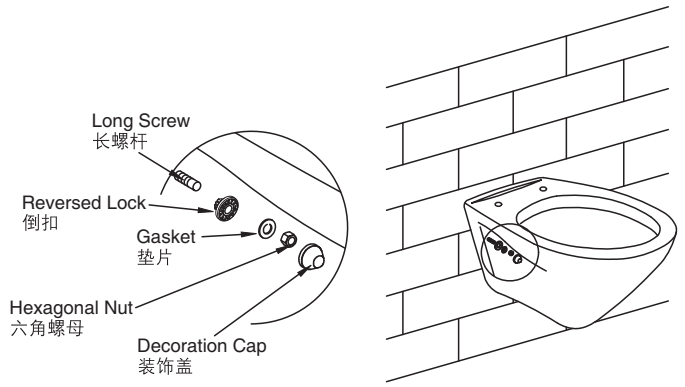
5. 如图将座便器装上，并用水平尺测量座便器是否平衡。



6. Install the reserved lock, gasket, hexagonal nut and decoration cap onto long screw according to the order shown in the illustration.

Note: Please refer to the installation instructions of toilet.

6. 如图首先将倒扣、垫片套在长螺杆上。然后拧紧六角螺母，最后盖上装饰盖即可。
注：实际安装座便器时，依照对应座便器的安装方法。

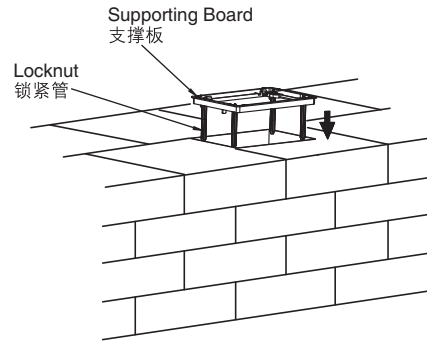


E. Faceplate Installation

E. 面板安装方法

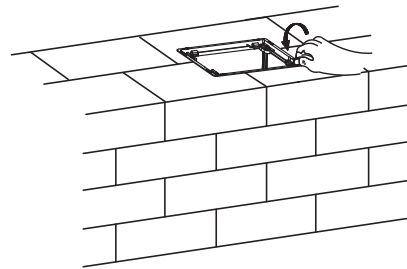
1. When tighten four locknuts on supporting board, adjust to "OPEN" mark as shown.

1. 如图将支撑板装上时，把四颗锁紧管调整在标识“OPEN”字样装上。



2. Tighten four screws to "LOCK" mark after installing supporting board as shown.

2. 如图将支撑板装上后，把四颗锁紧管旋转到“LOCK”字样即可。

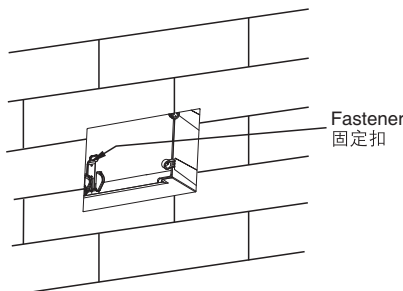
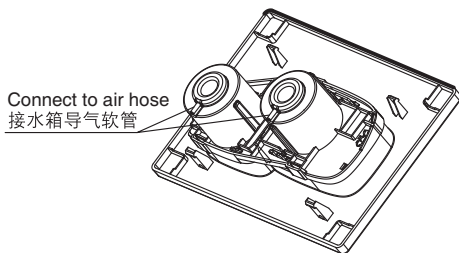
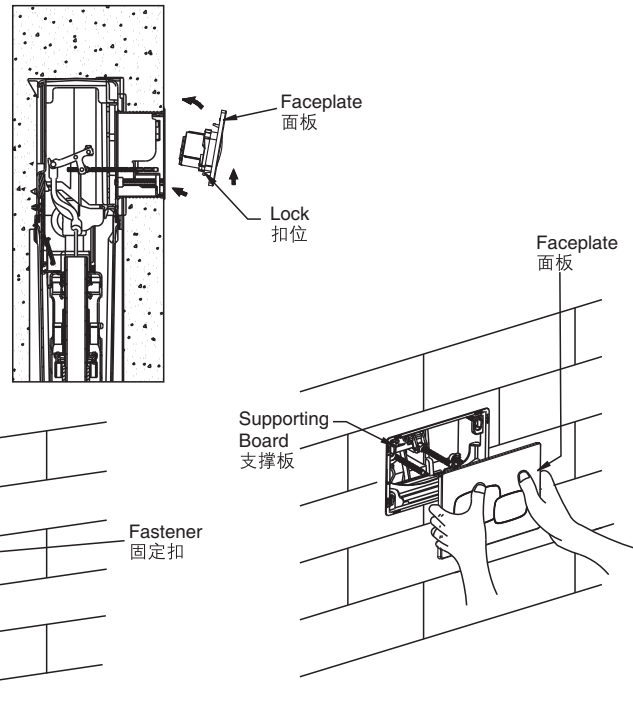


3. Install the big flush air hose and small flush air hose to the cover. Put the lock on the cover directly on the reversed lock on supporting board, then push the cover and lock it. The installation shall begin from bottom to top.

Note: Cut the excessive parts of the air hose if necessary and fix it onto the tank fastener.

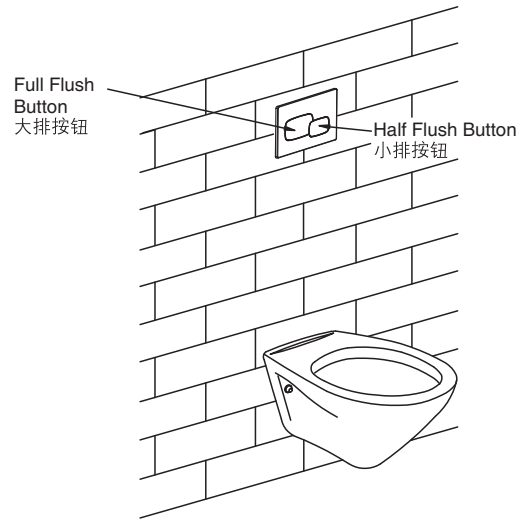
3. 如图将水箱的大排导气软管和小排导气软管装入面板，将面板的扣位对准调节板的倒扣。然后用力向上推，再向前扣紧。安装时要注意从下而上安装。

注：根据实际情况将导气软管的多余部分切除，并固定在水箱固定扣上。



4. It is ready to use when connected to water supply after installation.
Note: Reserve access panel at front or top of the tank in remote installation.

4. 安装完毕，通水使用。
 注：远程安装时，水箱的前方或者上方预留检修口。

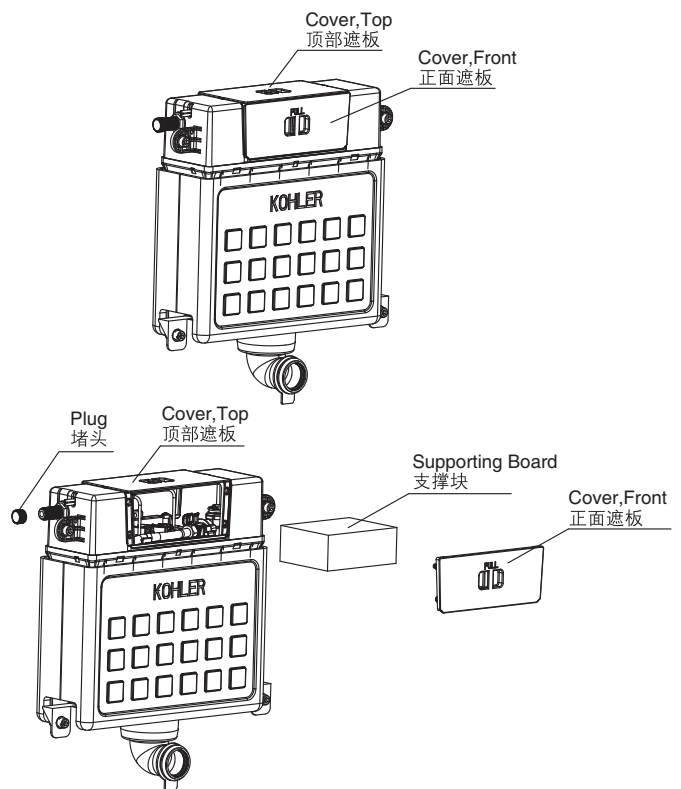


Installation For In-wall Tank Without Frame 无框架入墙式隐藏水箱座便器的安装

A. Installation of In-wall Tank A. 隐藏水箱的安装

1. Remove in-wall tank from packing box. Remove front cover board or top cover board inside water tank first as shown. Then remove support block and plug above bracket assembly.

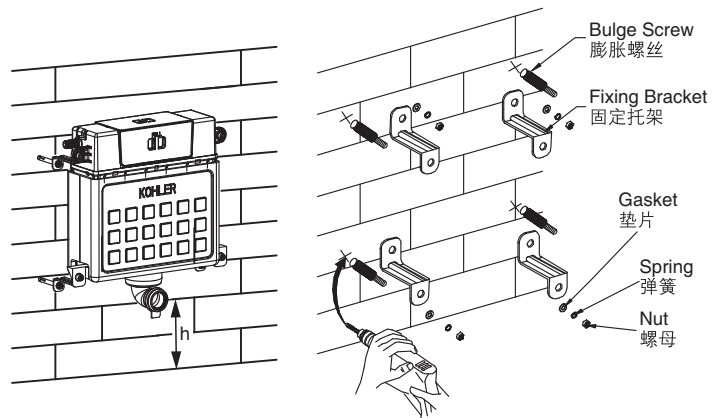
1. 从包装箱中取出隐藏水箱，如图首先把水箱里的正面遮板或顶部遮板取下，再取出支架组件上方的支撑块和堵头。



2. Make sure of h according to dimensions of bowl and then locate the installation hole of fixing bracket. Mark on the wall for appropriate position for fixing bracket, and drill four holes with diameter of 10mm and depth of 80mm with churn drilling as shown in illustration, and fill in the holes with bulge screw and tighten the screw to set the fixing bracket.

Note: Ensure the fixing bracket to remain level.

2. 如图首先根据座便器的尺寸确定高度h，进而确定固定托架的安装孔。在墙壁上把固定托架的安装孔作记号后，用冲击钻钻四个 $\varnothing 10\text{mm}$ 深80mm的小孔，然后装上膨胀螺丝，再把固定托架装在膨胀螺栓上拧紧螺母。
 注：固定托架要保持平衡。

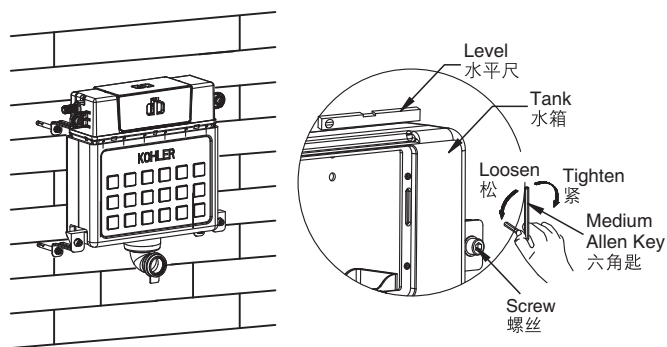


3. Put the tank onto the fixing bracket as shown in the right figure and adjust the tank to level . Then tighten screws with hex-head key.

Note: it is a must to keep the tank level.

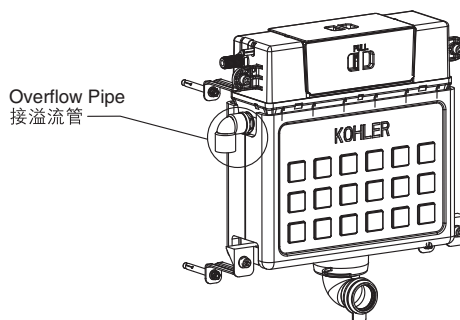
3. 如图把水箱放在固定托架上，用水平尺调整水箱平衡，再用六角匙将螺丝拧紧。

注：水箱一定要保持平衡。



4. Connect with overflow pipe on the side when installing K-78073K-PNE/K-78075K-PNE.

4. K-78073K-PNE/K-78075K-PNE施工时侧边接溢流管。

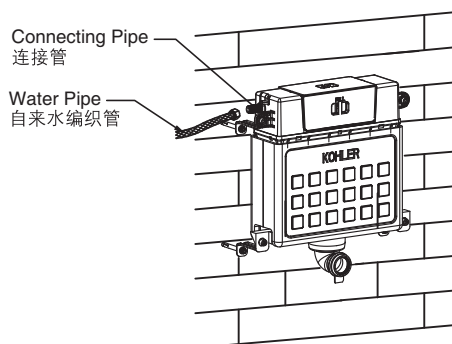


5. Connect tap water braided tube on the top of water tank for water supply as shown.

Note: 1. Ensure water tank internal valve is OFF.
2. Suggestion: connect a temporary rubber or plastic hose on valve, flush water supply pipeline. Ensure water is clean, no residual sand stone or fouling inside pipeline.

5. 如图所示将自来水编织管装在水箱顶部连接管上供水。

注：1. 确保水箱内部进水角阀为关闭状态。
2. 建议在连接供水时，在角阀上连接一个临时橡皮或塑料软管，冲洗供水管道，确保管路中的水干净，管道内无沙石、垢污等。



6. Access Panel Installation Methods:

There are four ways to install access panel:

Method one: Press from top

Method two: Remote plate installation: fix four plates with screws

Method three: Remote installation of mask

Method four: Press from front: fix four plates with screws

6. 检修口安装方法:

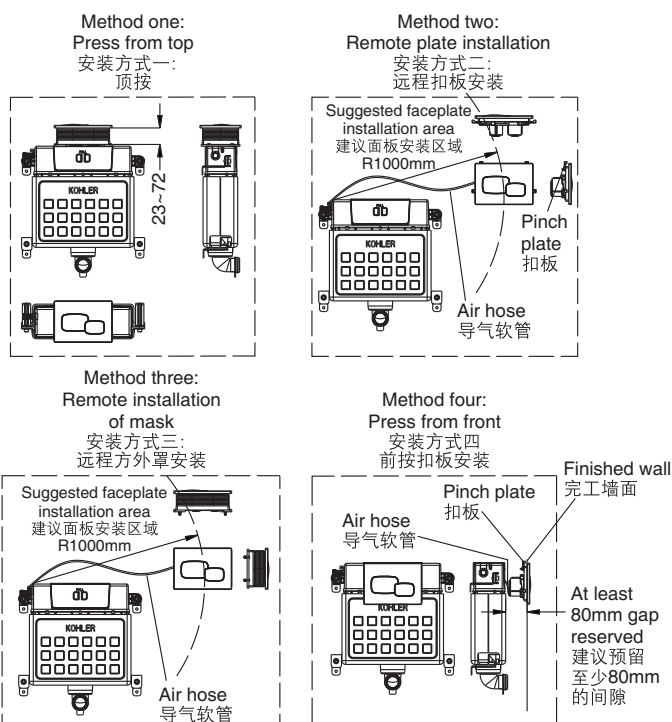
首先根据面板安装的实际情况有四种安装方式:

安装方式一: 顶按

安装方式二: 远程扣板安装: 四个扣板通过螺丝固定

安装方式三: 远程方外罩安装

安装方式四: 前按扣板安装: 四个扣板通过螺丝固定

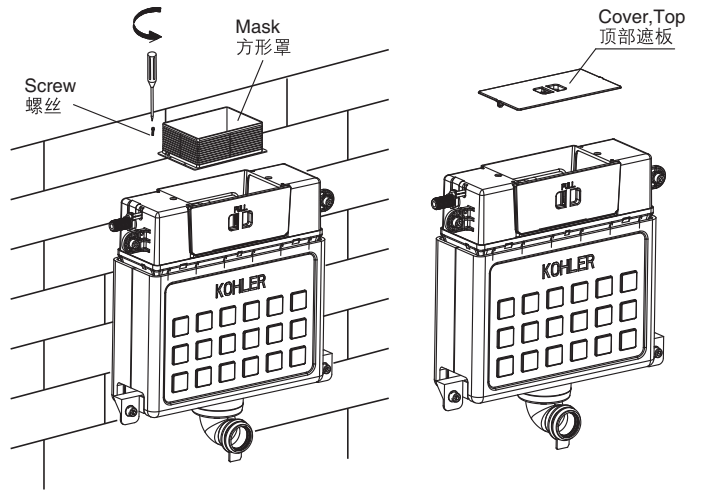


7. Method one: Install mask when pressing from top

- 1) Remove top plate, then install the mask on the top of the tank, and tighten the screw to fix the mask to the tank.

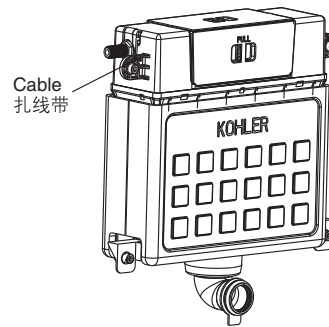
7. 面板安装方式一：顶按时，方外罩安装

- 1) 如图首先取下顶部遮板，然后将方形罩装在水箱上部，再拧紧螺丝使方形罩紧固在水箱上。



- 2) Cut apart the cable of the air hose and pull it out from the rectangle cover.

- 2) 将导气软管的扎线带剪开，导气软管从方外罩引出。

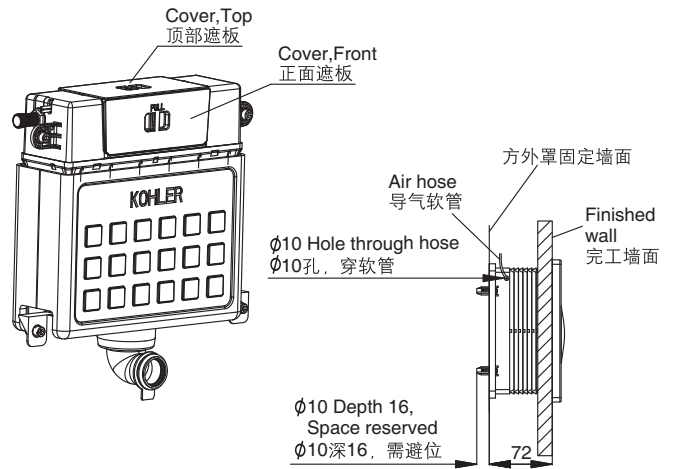


8. Methods two and three: During remote installation, fix the cover onto the tank and pull the air hose to the panel. Reserve access panel at front or top to ensure removal and installation of cover.

8. 面板安装方式二和三，远程安装时，将遮板装到水箱，导气软管引到面板安装的位置。水箱遮板前方或上方预留检修口，确保遮板能从检修口取出和安装。

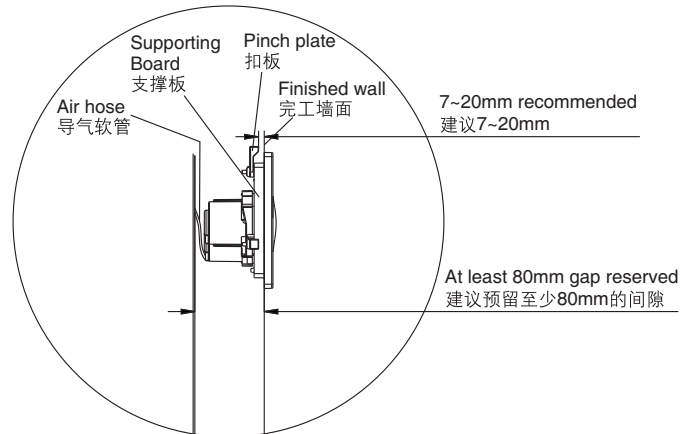
Method two: During remote plate installation, 7~20mm thickness is recommended for the wall of the pinch plate and at least 80mm gap is reserved.

Method three: During remote installation of mask, 4 holes with diameter of 10mm and depth of 16mm are needed to be reserved at the locating hose. Drill 10mm holes through air hose on the side of the mask.



面板安装方式二，远程扣板安装，扣板处假墙厚度建议7~20mm，预留最小间隙80mm。

面板安装方式三，远程方外罩安装，定位管处需预留4个直径10mm深16mm孔，方外罩侧边钻直径10mm孔穿导气软管。

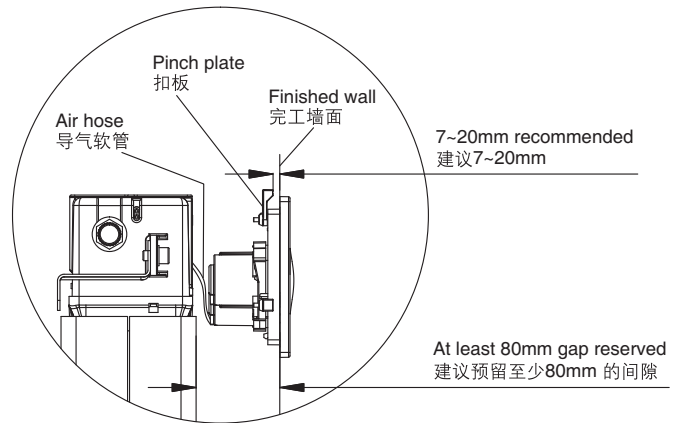
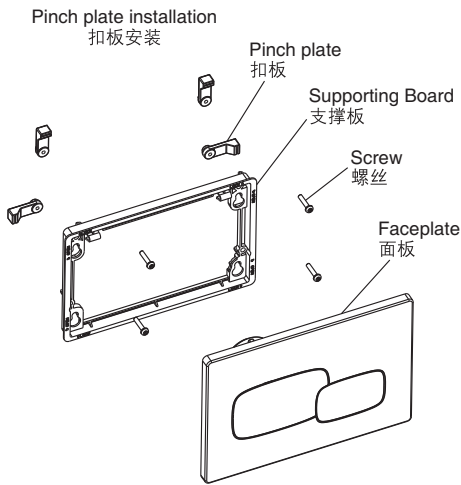
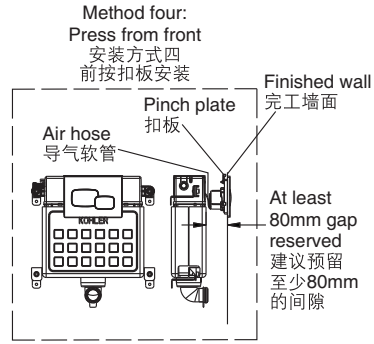


9. Method four: Cut apart the cable of the air hose. Pull it out from the front of the tank and meanwhile reserve the access panel. Fix the four plates with screws and then fix the support board.

Note: No direct contact between the faceplate and the tank. 7~20mm thickness recommended for the wall of the pinch plate.

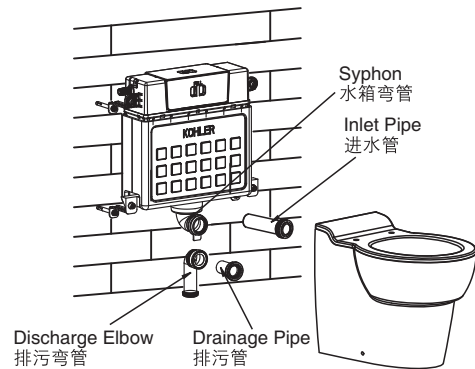
9. 面板安装方式四：前按扣板安装时，将导气软管的扎线带剪开，导气软管从方外罩前方，并预留检修口引出，四个扣板通过螺丝固定，进而固定支撑板。

注：面板与水箱不直接接触。
扣板处假墙厚度建议7~20mm。



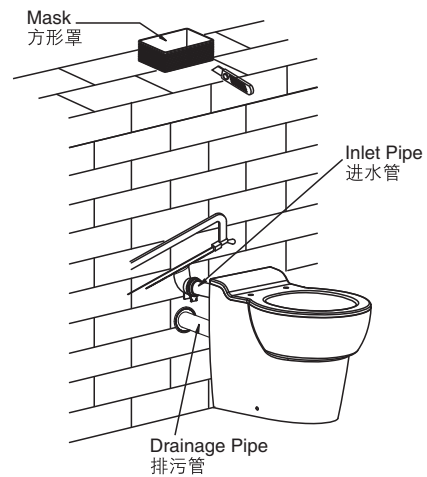
10. Insert the inlet pipe and drainage pipe into the bowl, and then adjust the syphon and drainage pipe to a proper position to be fixed into the bowl. Make sure of the positions of syphon and discharge elbow and then remove the bowl.

10. 如图将进水管和排污管装入座便器，然后调整水箱弯管及排污弯管到合适位置后装入座便器，以确定水箱弯管及排污弯管的位置，拆下座便器。



11. When finishing the brickwork, eliminate unwanted part of the mask, the drainage pipe and the inlet pipe, if there is mask.

11. 如图砌完墙后，根据需要，有方外罩时，将方形罩及进水管和排污管多余的长度用水口刀锯掉。

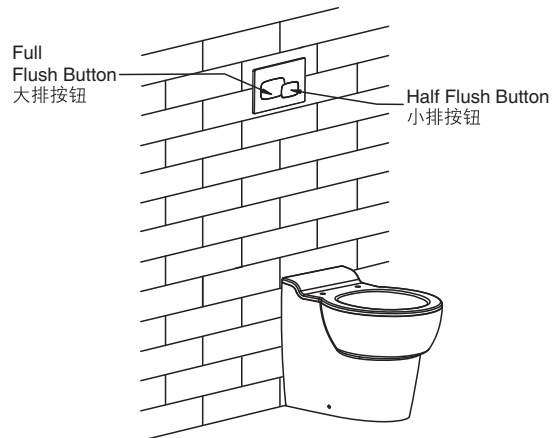


12. Fix faceplate according to step E and then it is ready for use.

Note: Reserve access panel at front or top of the tank in remote installation.

12. 按照步骤E安装面板，安装完毕后可以使用。

注：远程安装时，水箱的前方或者上方预留检修口。

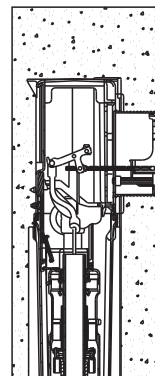
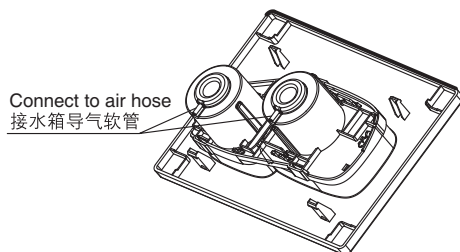


Finished Installation Illustration
安装完毕示意图

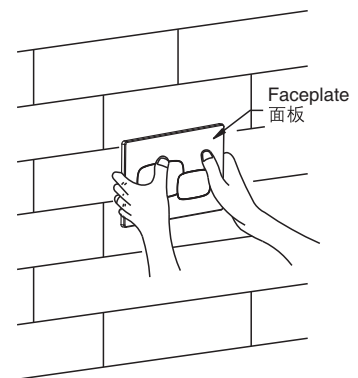
REMOVE AND MAINTENANCE OF THE OUTLET VALVE 排水阀拆卸与维护

1. Remove the air hoses of the big flush and small flush. Then remove the faceplate.

1. 拆下面板上安装的水箱大排导气软管和小排导气软管后，取下面板。

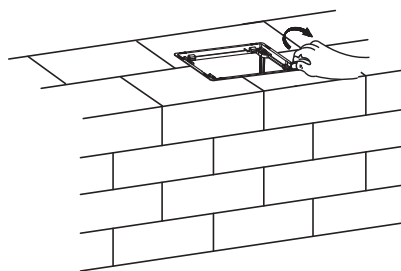


Faceplate
面板



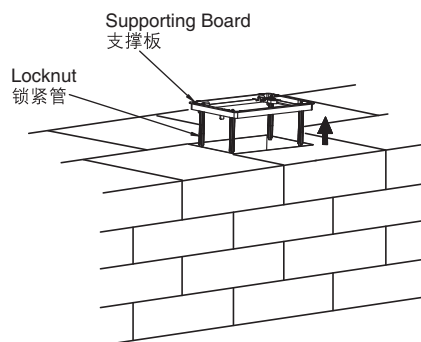
2. Pay special attention when dismantle supporting board 4 lock nuts, all bolts shall align with "OPEN" mark.

2. 如图将支撑板拆卸时注意四颗锁紧管要全部对准“OPEN”字样。



3. Dismantle supporting board as shown.

3. 如图拆出支撑板。

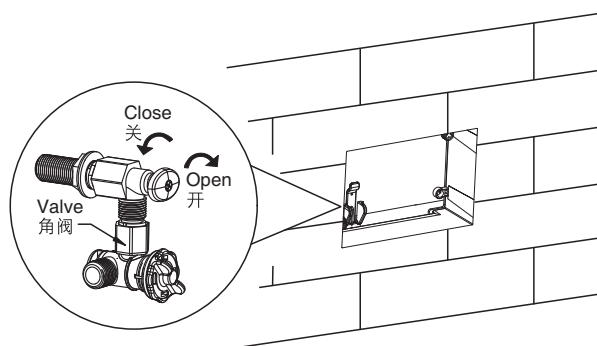


4. Open/close water supply

Rotate valve switch to open/close water supply as shown.

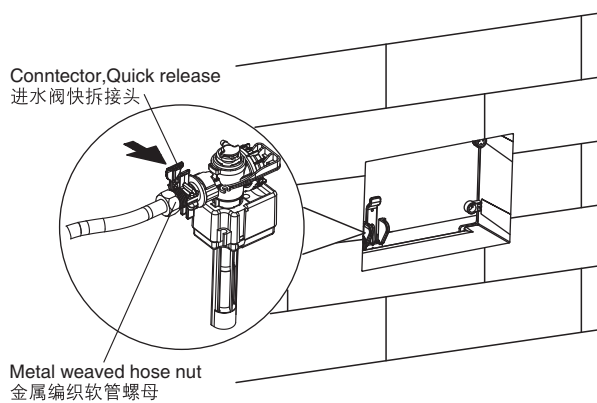
4. 打开或关闭水源

如图旋转角阀的开关可使水源打开或关闭。



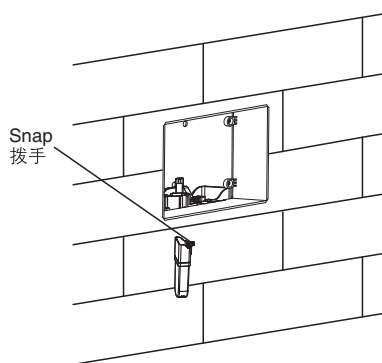
5. Unscrew the nut of the metal weaved hose and push the connector of the inlet valve as shown to remove the inlet valve.

5. 如图拧下金属编织软管螺母，按箭头方向推动进水阀快拆接头，取出进水阀。



6. Push aside the snap of the toilet detergent box to take the box out.

6. 如图拨动洁厕剂盒的拨手，取出洁厕剂盒。

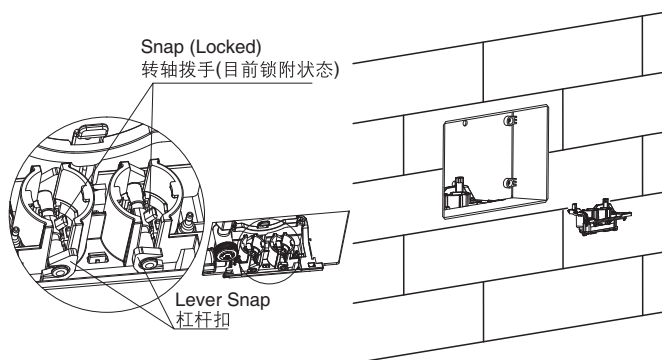


7. Push aside the pivot snaps of the big flush and small flush towards upper right to make the lever and pivot apart. Hold bracket top by hand and then lift up to unlock the bracket.

Note: Push aside the pivot snaps of the big flush and small flush towards lower left to fix back the bracket. Lock the snap.

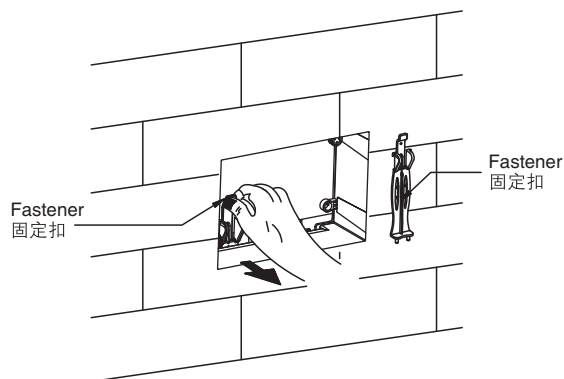
7. 右上方拨开大排和小排的转轴拨手，使杠杆和转轴分离。用手握住支架的上端，然后用力向上提拉把支架的锁紧拨开。

注：支架装回时，左下方拨动大排和小排的转轴，拨手至锁紧状态。



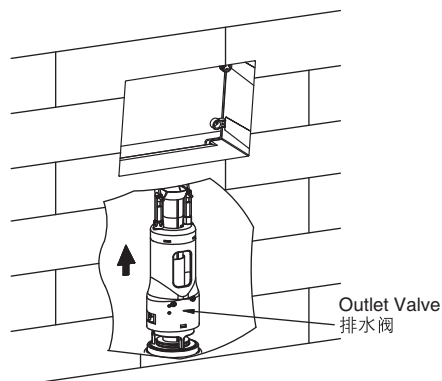
8. Hold fastener by hand as shown, pull the top of fastener along the direction of arrow. Then remove fastener.

8. 如图用手握住固定扣的上端向箭头方向拨动，然后取出固定扣。



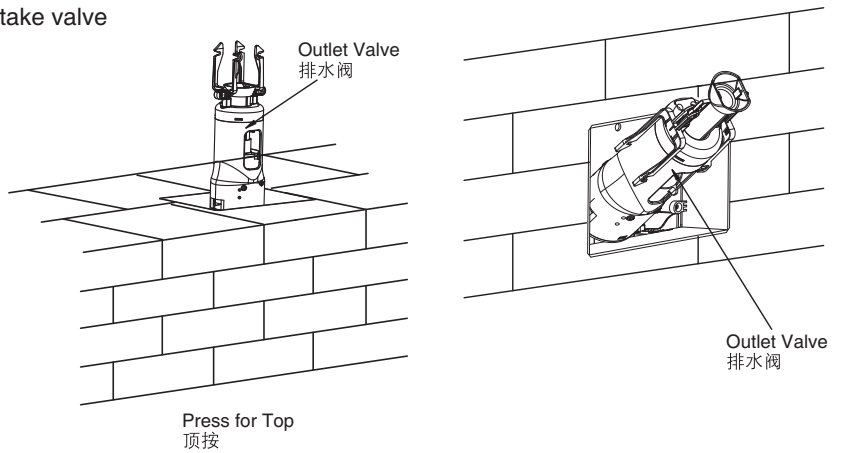
9. Pull discharge valve along the arrow direction as shown to remove discharge valve.

9. 如图将排水阀向箭头方向，可使排水阀取出。



10. Remove discharge valve as shown and then take valve out for cleaning or adjusting.

10. 如图将排水阀取出后可清洁或调节。

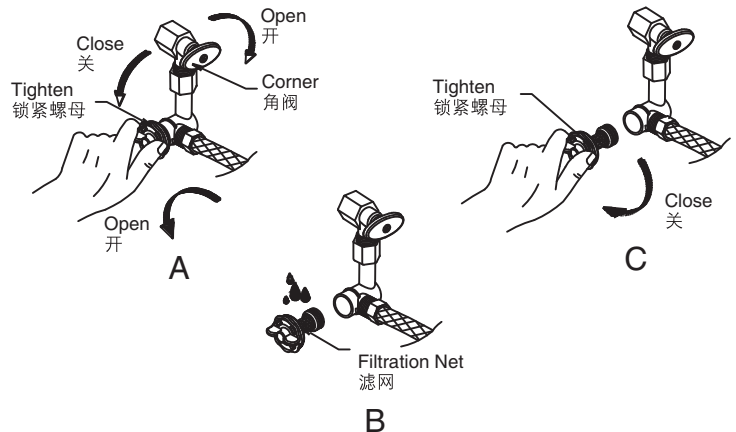
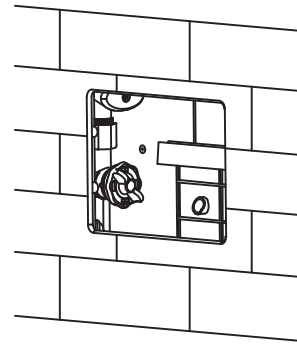


A Wash Filtration Net

Close corner valve first, then loosen and take out the tighten nut, and wash the waste on filtration net with clean water. Then reset the tighten nut to the original position.

A. 清洗过滤器

如图所示首先将角阀的开关关闭，将锁紧螺母旋松取出用清水洗净滤网泥沙。然后将锁紧螺母装回原位锁紧即可。

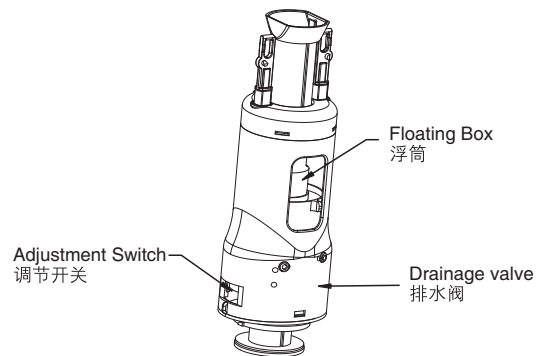


B. Adjust Drainage Valve

Drainage volume and overflow level of the tank can be adjusted by drainage valve: 1) heavy drainage adjustment: open adjustment switch to open the small hole. 2) slight drainage adjustment: adjust the height of floating box and the water level of slight drainage will be at the bottom of the floating box.

B. 排水阀的调校

如图排水阀可调节水箱排水量大小：(1) 大排水调节方法：打开调节开关，使小孔打开。(2) 小排水调节方法：调节浮筒高度，小排水水位一般到浮筒底部。

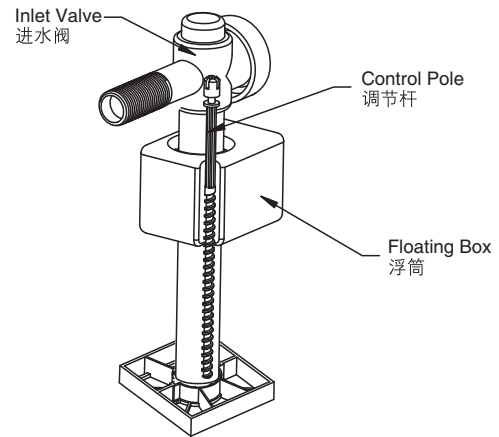


C. Adjust Inlet Valve

Hoist and reduce the water level in the tank by adjusting the control pole. Turn the control pole counterclockwise to lower down the floating box and reduce the water level of the tank .turn the control pole clockwise to hoist the floating box and increase the water level in the tank.

C. 进水阀的调校

如图调校调节杆可以使水箱水位升高或降低。当逆时针旋转调节杆时，浮筒下降，水箱水位就低。顺时针旋转调节杆使浮筒上升，水箱水位高。



TROUBLE SHOOTING PROCEDURES 故障排除

Symptoms	Probable Causes	Recommended Action
No water fills in via inlet valve	The inlet valve is closed.	Open inlet valve.
	Floating box of inlet valve is blocked by other parts.	Readjust the position of other parts to avoid contacting the floating box when it is functioning.
	Floating box of inlet valve is block by waste.	Wash the floating box with clean water.
No drainage when pressing the heavy and slight drainage button	The air hose and faceplate are wrongly installed.	Reinstall the air hose.
	The pole and the reversed lock are not connected.	Reinstall the reversed lock onto the pole of the outlet valve.
Too high or too low water level	The floating box of the inlet valve is not properly adjusted.	Readjust the water level.
Leak of the toilet and squat	The floating box of the inlet valve is blocked by wastes, so the water is leaked from the overflow pipe.	Readjust the position of other parts to avoid contacting the floating box when it is functioning.
	The rubber gasket is blocked by wastes.	Take out the outlet valve and clean the wastes.
Toilet does not flush	A. No water supply. B. The water supply stop is closed.	A. Wait for restoration of water supply. B. Open the water supply stop.
Toilet does not flush completely	Filter screen is clogged.	Refer to wash filtration net.

现象	原因	排除方法
进水阀不进水	进水角阀没有打开。	把进水角阀打开。
	进水阀的浮筒被其它零件挡住。	调整其它零件切勿与浮筒工作时位置接触。
	进水阀的浮筒被杂物粘住。	用水清洗干净浮筒。
按下大、小排按钮时不排水	导气软管与面板安装错误。	重新安装导气软管。
	排水阀的杠杆扣与倒扣没接上。	重新安装倒扣在排水阀杠杆扣上。
水位太高或太低	进水阀的浮筒没有调整好。	重新调整水位。
座便器漏水	水箱进水时进水阀的浮筒有杂物挡住，止不住水。水从排水阀溢水管漏水。	调整其它零件切勿与浮筒工作时位置接触。
	封水片有杂物。	取出排水阀清洗封水片的杂物。
座便器不冲水	A. 停水。 B. 供水角阀关闭。	A. 等到恢复供水。 B. 打开供水角阀。
座便器冲不干净	过滤网阻塞。	查看“清洗过滤器”部分。