

## Features

- Grip-Tight bumpers hold seat firmly in place
- Quick-Attach® hardware for fast and secure installation
- Color-matched plastic hinges

## Material

- Plastic construction



## Codes/Standards

None Applicable


## KOHLER® One-Year Limited Warranty

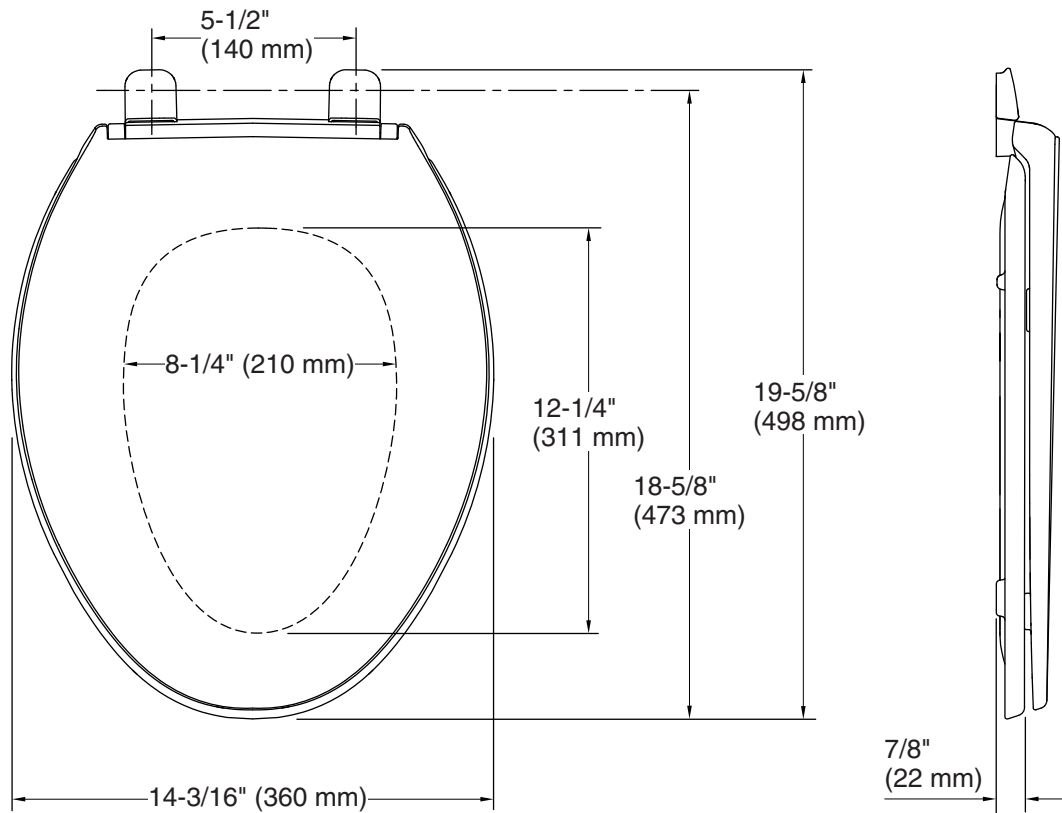
See website for detailed warranty information.

## Available Colors/Finishes

*Color tiles intended for reference only.*

Color	Code	Description
-------	------	-------------

	0	White
---	---	-------



## Technical Information

All product dimensions are nominal.

Seat shape type: Elongated  
Seat front type: Closed-front  
Seat-mounting holes: 5-1/2" (140 mm)

## Notes

Install this product according to the installation instructions.