

Features

- Square-front seat with lid
- Slim seat design creates a sleek look
- Quiet-Close™ functionality to prevent seat from slamming
- Quick-Release™ functionality allows seat to be removed easily from toilet for convenient cleaning
- Quick-Attach™ hardware for fast and secure installation
- Grip-Tight bumpers hold seat firmly in place
- SafeShield™ seat is infused with antimicrobial silver ions, protecting users against 99.9% of bacteria, including Escherichia coli.

Material

- Premium material construction for durability and reliability



Codes/Standards

None Applicable


KOHLER® India Faucet, Sanitaryware and Bathing Products Limited Warranty

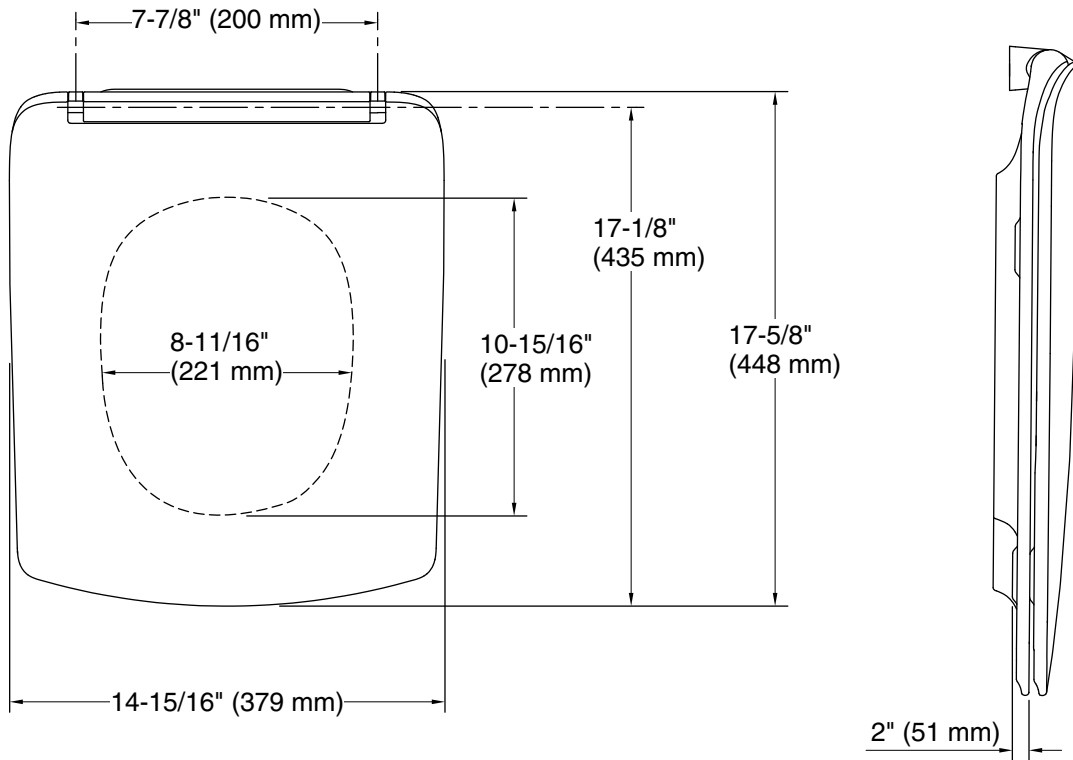
See website for detailed warranty information.

Available Colors/Finishes

Color tiles intended for reference only.

Color	Code	Description
-------	------	-------------

	0	White
---	---	-------



Technical Information

All product dimensions are nominal.

Seat shape type:	Square
Seat front type:	Closed-front
Seat hinge type:	Check
Seat-mounting holes:	6-5/16" (160 mm)

Notes

Install this product according to the installation guide.