



## Iron Plains®

30" rectangular drop-in / undermount / vessel  
bathroom sink  
K-20212-PAT

### Features

- Large rectangular basin
- No faucet holes; requires wall- or counter-mount faucet
- With overflow
- Enameled Teal interior and painted Teal underside

### Material

- KOHLER® enameled cast iron
- Acid-resistant enamel finish

### Installation

- Vessel, drop-in, or undermount

### Recommended Products/Accessories

- K-23726 Drain treatment
- K-23725 Cast iron cleaner

### Included Components

- 1193643 Basin clamps



ADA

CSA B651

### Codes/Standards

ASME A112.19.1/CSA B45.2  
 ADA  
 ICC/ANSI A117.1  
 CSA B651  
 IAPMO Certification

### KOHLER® Enameled Cast Iron Kitchen and Bathroom Sink Lifetime Limited Warranty

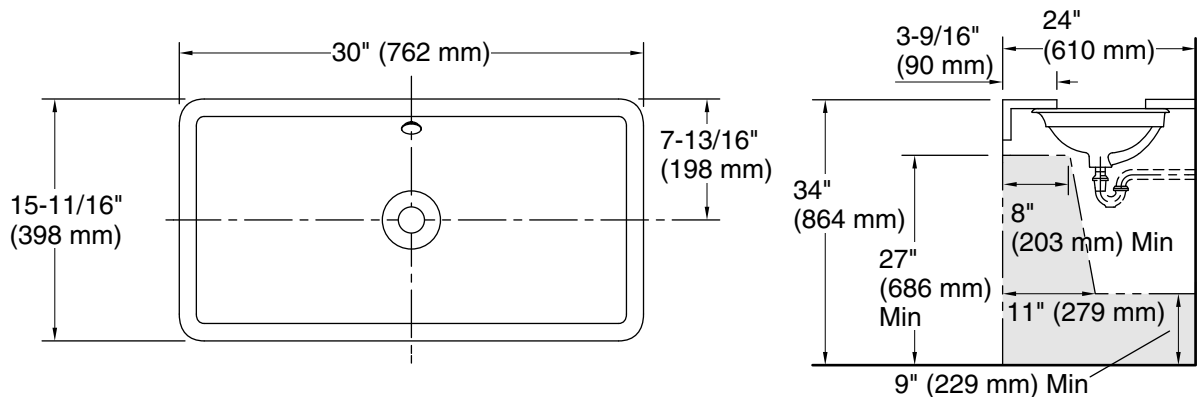
See website for detailed warranty information.

### Available Colors/Finishes

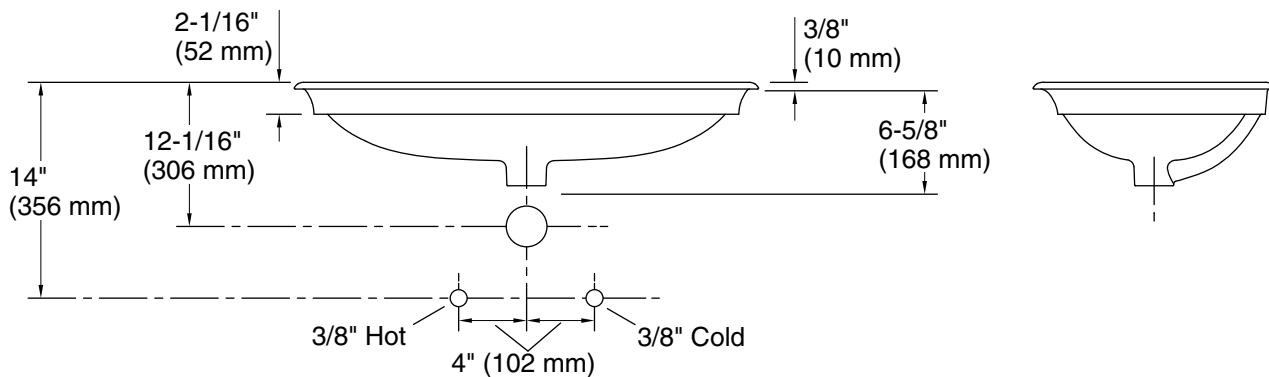
*Color tiles intended for reference only.*

#### Color Code Description

	17	Teal
--	----	------



**Recommended ADA Installation**



### Technical Information

All product dimensions are nominal.

Basin configuration:	Single Bowl
Basin area (Only):	Length: 28-13/16" (732 mm) Width: 14-7/16" (367 mm) Bowl depth: 4-3/4" (121 mm) Water depth: 3-5/16" (84 mm)
With overflow:	Yes
Drain hole:	1-3/4" (44 mm)
Template:	1319048-7, required, included

### Notes

Install this product according to the installation instructions.

**NOTICE:** Countertop manufacturer or cutter must use the current product template available at [www.kohler.com](http://www.kohler.com) or by calling 1-800-4KOHLER. Kohler Co. is not responsible for cutout errors when the incorrect cut-out template is used.

ADA, CSA B651 compliant when installed to the specific requirements of these regulations.