



# Iron Plains®

Vessel bathroom sink  
K-20212-PL

## Features

- Large rectangular basin
- No faucet holes; requires wall- or counter-mount faucet
- Overflow drain

## Material

- KOHLER® enameled cast iron
- Black Plum interior and painted underside

## Installation

- Vessel, drop-in, or undermount

## Recommended Products/Accessories

- K-23726 Drain treatment
- K-23725 Cast iron cleaner



ADA

CSA B651

## Codes/Standards

ASME A112.19.1/CSA B45.2

ADA

ICC/ANSI A117.1

CSA B651

IAPMO Certification

## KOHLER® Enameled Cast Iron Kitchen and Bathroom Sink Lifetime Limited Warranty

See website for detailed warranty information.

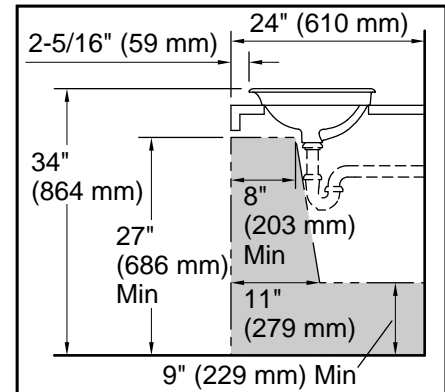
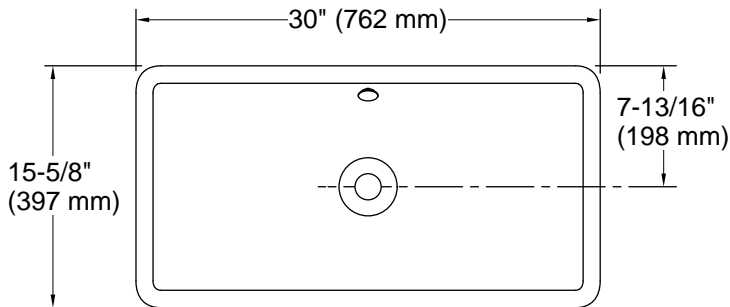
1-800-4KOHLER (1-800-456-4537)

Kohler Co. reserves the right to make revisions without notice to product specifications.

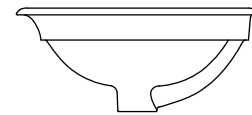
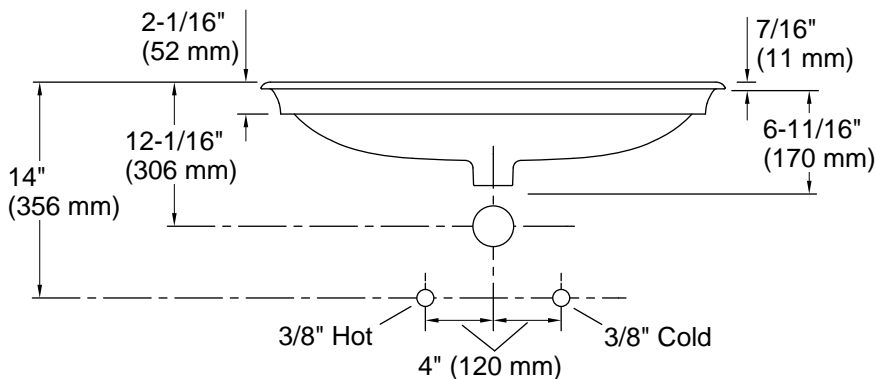
For the most current Specification Sheet, go to [www.kohler.com](http://www.kohler.com) USA or [www.kohler.ca](http://www.kohler.ca) Canada

1-4-2025 00:42 - US/CA

THE BOLD LOOK  
OF **KOHLER**®



Recommended ADA Installation



### Technical Information

All product dimensions are nominal.

Basin configuration:	Single Bowl
Bowl area (Only):	Length: 38-13/16" (986 mm) Width: 14-7/16" (367 mm) Bowl depth: 4-3/4" (121 mm)
With overflow:	Yes
Drain hole:	1-3/4" (44 mm)
Template:	1319048-7, required, included

### Notes

Install this product according to the installation instructions.

**NOTICE:** Countertop manufacturer or cutter must use the cut-out template provided with the product, or a current one provided by Kohler Co. (call 1-800-4-KOHLER). Kohler Co. is not responsible for cutout errors when the incorrect cut-out template is used.

ADA, CSA B651 compliant when installed to the specific requirements of these regulations.