



Iron Plains®

33" oval drop-in/undermount/vessel bathroom sink
with Biscuit painted underside
K-20213-B

Features

- Elongated oval basin
- No faucet holes; requires wall- or counter-mount faucet
- Overflow drain

Material

- KOHLER® enameled cast iron
- Painted underside in Biscuit

Installation

- Vessel, drop-in, or undermount

Recommended Products/Accessories

- K-23726 Drain treatment
- K-23725 Cast iron cleaner



ADA

CSA B651

Codes/Standards

ASME A112.19.1/CSA B45.2
ADA
ICC/ANSI A117.1
CSA B651
IAPMO Certification

KOHLER® Enameled Cast Iron Kitchen and Bathroom Sink Lifetime Limited Warranty

See website for detailed warranty information.

Available Colors/Finishes

Color tiles intended for reference only.

Color Code Description

	96	Biscuit
---	----	---------

1-800-4KOHLER (1-800-456-4537)

Kohler Co. reserves the right to make revisions without notice to product specifications.

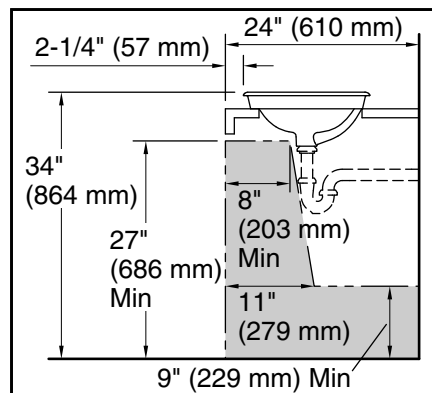
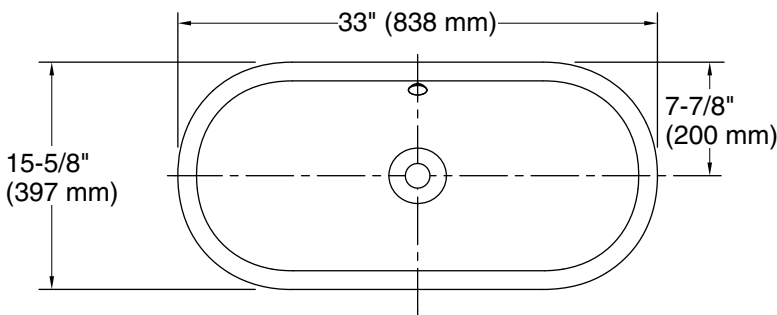
For the most current Specification Sheet, go to www.kohler.com USA or www.kohler.ca Canada

10-18-2024 00:21 - US/CA

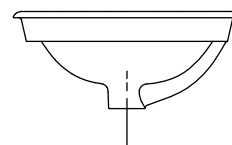
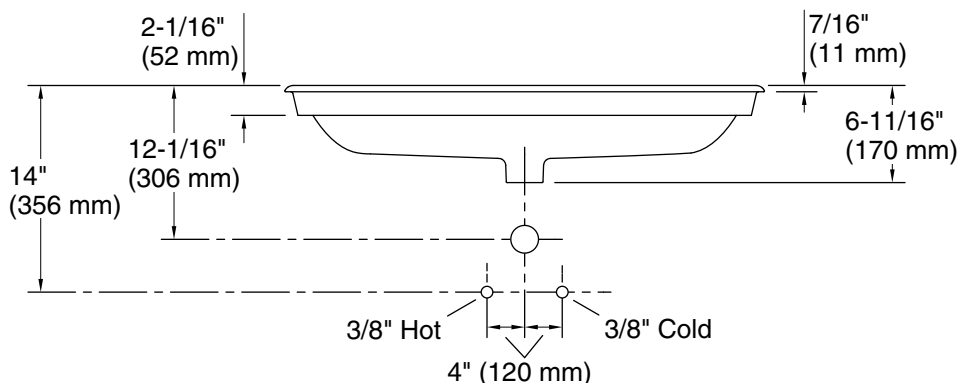
THE BOLD LOOK
OF **KOHLER**®



Iron Plains®
 33" oval drop-in/undermount/vessel bathroom sink
 with Biscuit painted underside
K-20213-B



Recommended ADA Installation



Technical Information

All product dimensions are nominal.

- Basin configuration: Single Bowl
- Bowl area (Only): Length: 31-3/16" (792 mm)
 Width: 13-13/16" (351 mm)
 Bowl depth: 4-11/16" (120 mm)
- With overflow: Yes
- Drain hole: 1-3/4" (44 mm)
- Template: 1319049-7, required, included

Notes

Install this product according to the installation instructions.

NOTICE: Countertop manufacturer or cutter must use the cut-out template provided with the product, or a current one provided by Kohler Co. (call 1-800-4-KOHLER). Kohler Co. is not responsible for cutout errors when the incorrect cut-out template is used.

ADA, CSA B651 compliant when installed to the specific requirements of these regulations.