

### Features

- Wall-hung toilet bowl
- Unique rounded square shape
- Dual-flush offers a choice of .53 or 1.06 gpf (2.0 or 4.0 lpf)
- 2" (51 mm) fully glazed trapway
- Skirted trapway simplifies cleaning
- Rimless design makes toilet bowl more hygienic and easier to clean
- Bowl only; requires Kohler® in-wall tank and carrier system, dual-flush actuator, and seat (sold separately)
- Coordinates with the K-20219IN-UF Trace™ Quiet-Close™ toilet seat and lid

### Material

- Vitreous china

### Installation

- Wall-hung
- Installation hardware included

### Required Products/Accessories

[K-20219IN-UF](#) Trace™ Quiet-Close™ toilet seat



### Codes/Standards

None Applicable

### KOHLER® India Vitreous and bathing Product Limited Warranty

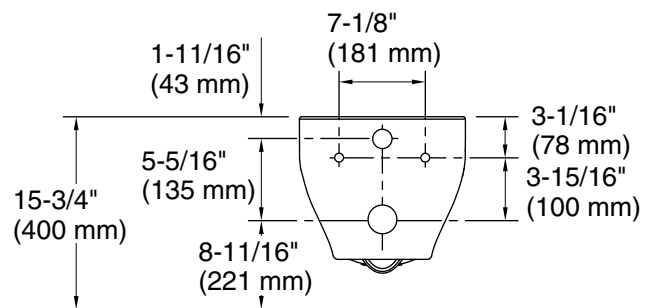
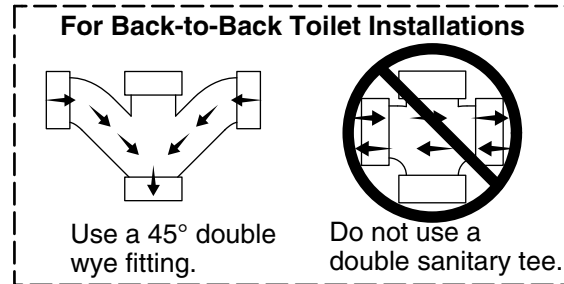
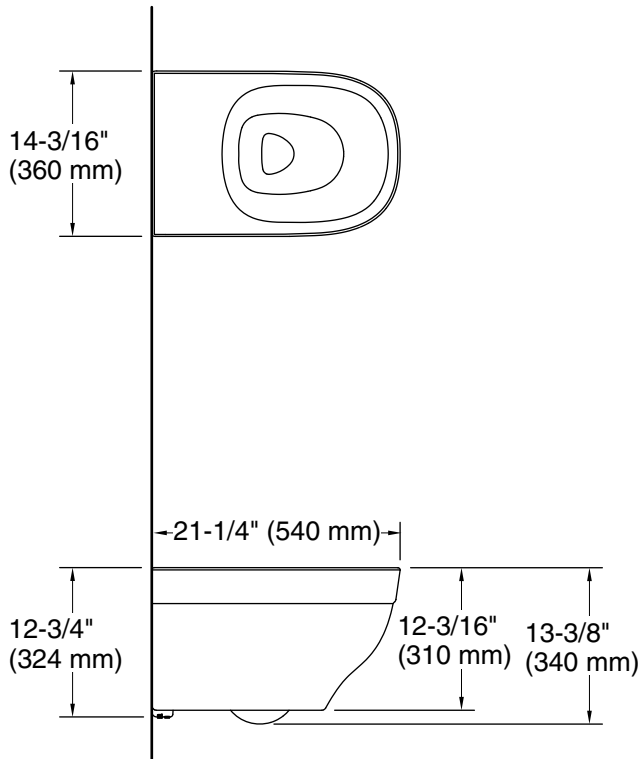
See website for detailed warranty information.

### Available Colors/Finishes

*Color tiles intended for reference only.*

Color	Code	Description
-------	------	-------------

	7	Black Black™
---	---	--------------



## Technical Information

All product dimensions are nominal.

Toilet type:	Wall-hung
Waste Outlet:	Wall
Trap passageway:	2" (51 mm)
Rim to water surface:	8-1/4" (210 mm)

## Notes

Install this product according to the installation instructions.