

## Features

- Made from premium materials that withstand high-volume usage
- 20" (508 mm) x 18" (457 mm)
- 8" (203 mm) widespread faucet holes
- With sealed overflow and soap dispenser drilling on left

## Material

- Vitreous china

## Installation

- Wall-mount
- Drilled for concealed arm carrier installation

## Recommended Products/Accessories

K-8998 P-Trap  
K-23726 Drain treatment  
K-23725 Cast iron cleaner



ADA

CSA B651

OBC

## Codes/Standards

ASME A112.19.2/CSA B45.1

ADA

ICC/ANSI A117.1

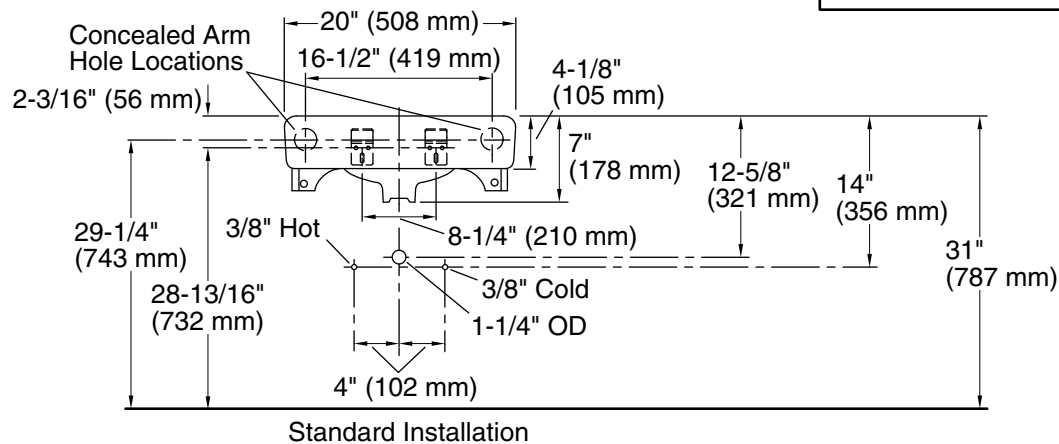
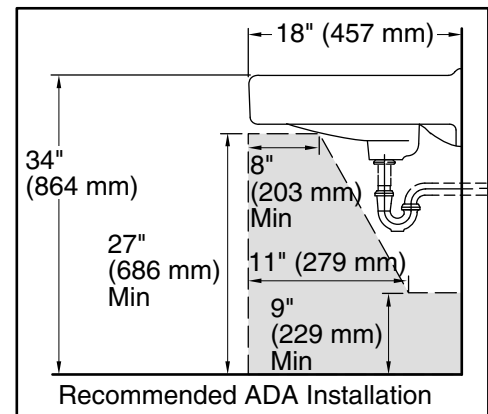
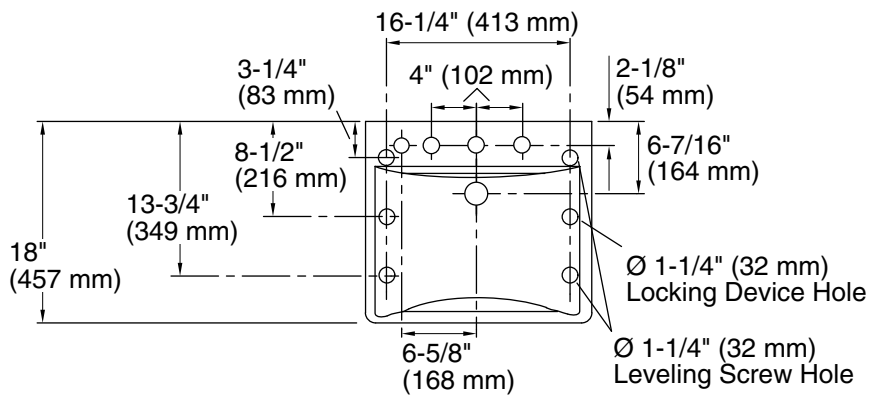
CSA B651

OBC

IAPMO Certification

## **KOHLER® Vitreous China Bathroom Sink Lifetime Limited Warranty**

See website for detailed warranty information.



### Technical Information

All product dimensions are nominal.

Basin configuration:	Single Bowl
Center(s):	8" (203 mm)
Bowl area (Center):	Length: 18" (457 mm) Width: 13" (330 mm) Water depth: 4-7/8" (124 mm)
With overflow:	Yes
Number of deck holes:	4
Faucet hole(s):	1-3/8" (35 mm)
Soap/Lotion hole:	1-1/4" (32 mm)
Drain hole:	1-3/4" (44 mm)

### Notes

Install this product according to the installation instructions.

If an arm carrier is used, select a soap dispenser with a 1" (25 mm) maximum shank diameter to avoid interference with the arm carrier.

Use a soap dispenser with adequate shank length to extend through the 4-1/8" (105 mm) sink thickness.

ADA, OBC, CSA B651 compliant when installed to the specific requirements of these regulations.