

Features

- Large asymmetrical oval basin
- Trough-style basin allows for two-faucet application or striking large vanity installation
- No faucet holes; requires wall- or counter-mount faucet
- Overflow drain
- Includes color-matched overflow cap and color-matched brass drain cover
- Coordinates with other products in the Veil collection

Material

- Fireclay

Installation

- Vessel

Required Products/Accessories

For above-counter installation

- K-25322 Clicker drain with overflow
- K-7114-A Pop-Up Drain
- K-7126 Standard pop-up drain, non-exposed, with lift rod

Recommended Products/Accessories

- K-23726 Drain treatment
- K-23725 Cast iron cleaner

Included Components

- 1311408 Faucet Cap Assembly
- 1331521 Drain Cover Kit



ADA

CSA B651

OBC

Codes/Standards

ASME A112.19.2/CSA B45.1

ADA

ICC/ANSI A117.1

CSA B651




OBC

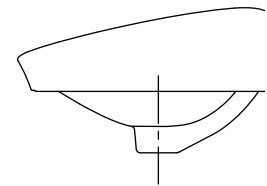
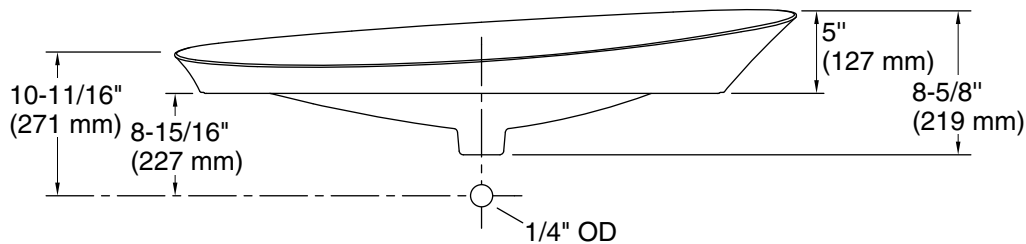
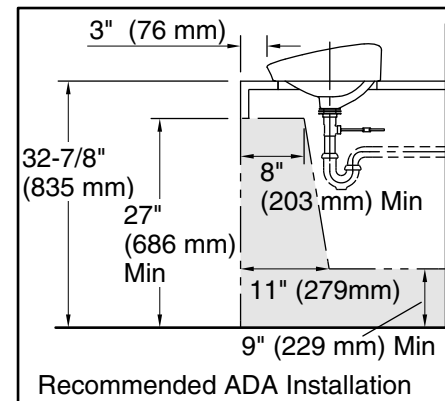
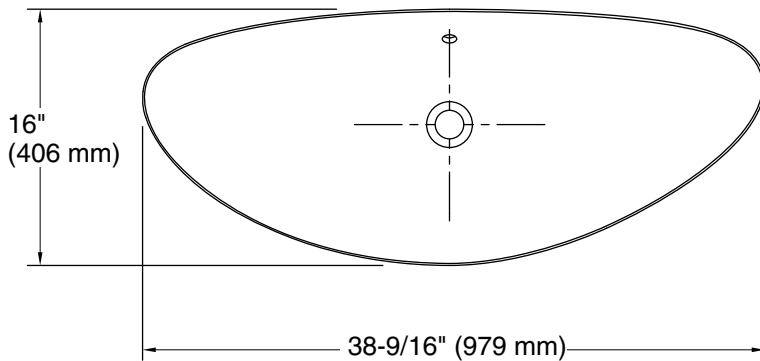
KOHLER® One-Year Limited Warranty

See website for detailed warranty information.

Available Colors/Finishes

Color tiles intended for reference only.

| Color | Code | Description |
|---|------|--------------|
|  | 0 | White |
|  | 96 | Biscuit |
|  | 7 | Black Black™ |



Technical Information

All product dimensions are nominal.

| | |
|----------------------|---|
| Basin configuration: | Single Bowl |
| Bowl area: | Length: 37-7/8" (962 mm) Width: 15-7/16" (392 mm) Bowl depth: 3-1/2" (89 mm) Water depth: 2-13/16" (71 mm) |
| With overflow: | Yes |
| Drain hole: | 1-3/4" (44 mm) |
| Template: | 1317552-7, not required, included |

Notes

Install this product according to the installation instructions.

NOTICE: Countertop manufacturer or cutter must use the cut-out template provided with the product, or a current one provided by Kohler Co. (call 1-800-4-KOHLER). Kohler Co. is not responsible for cutout errors when the incorrect cut-out template is used.

ADA, OBC, CSA B651 compliant when installed to the specific requirements of these regulations.