

### Features

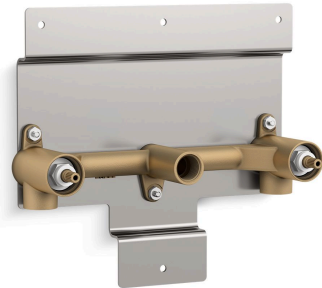
- 1/2" (12.7 mm) quarter-turn washerless ceramic disc valves
- 10.0 gpm (37.9 lpm) maximum flow rate at 45 psi (3.1 bar)
- Requires valve trim (sold separately)

### Material

- Solid-brass construction for durability and reliability

### Installation

- For 8" (203 mm) centers
- Wall-mount

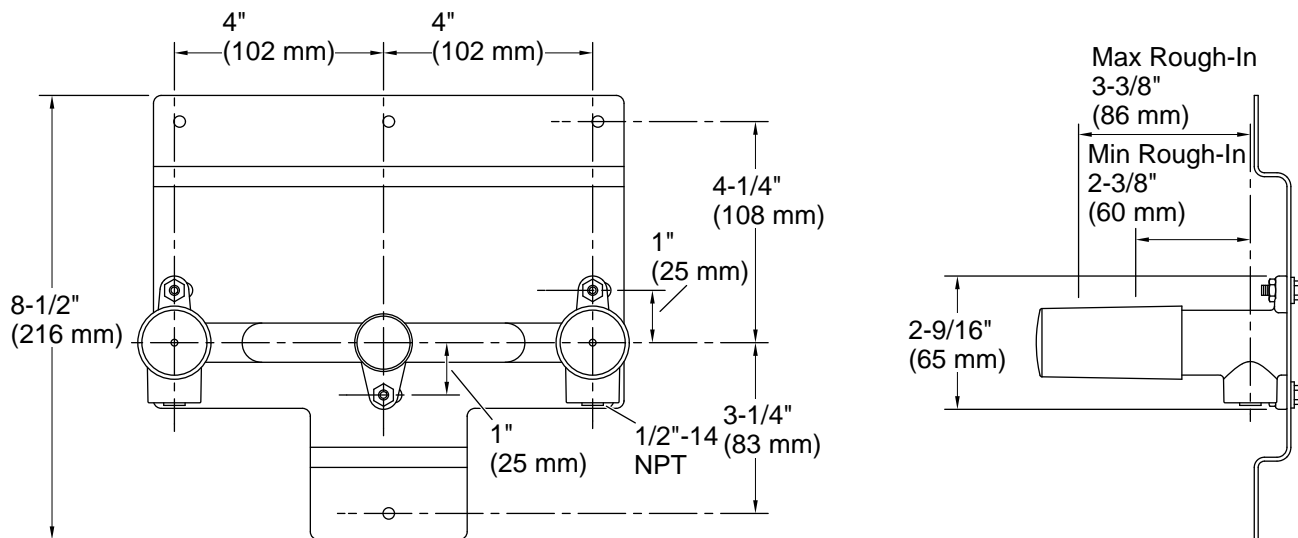


### Codes/Standards

ASME A112.18.1/CSA B125.1  
IAPMO Certification

### KOHLER® Electronic Faucets, Valves, and Controls Five-Year Limited Warranty

See website for detailed warranty information.



### Technical Information

All product dimensions are nominal.

#### Faucet:

Flow rate: 10 gal/min (37.9 l/min)

Drain included: No

#### Handshower:

Rated maximum flow: 0 gal/min (0 l/min)

### Notes

Install this product according to the installation instructions.