

Features

- One knob handle for volume/temperature and one to adjust water outlet/flow
- Includes three-way diverter for control of bath and shower outlets
- Red/blue indexing
- Temperature memory allows faucet to be turned on and off at the temperature set during prior usage
- Coordinates with Composed faucets, accessories, and showering components to complete your bathroom



Material

- Premium metal construction
- KOHLER[®] finishes resist corrosion and tarnishing

Technology

- Thermostatic technology automatically maintains temperature within +/- 0.4°C (+/- 0.72°F) during water pressure fluctuations

Installation

- Semi-recessed into wall

Adapters, Rough-in and Extension Kits

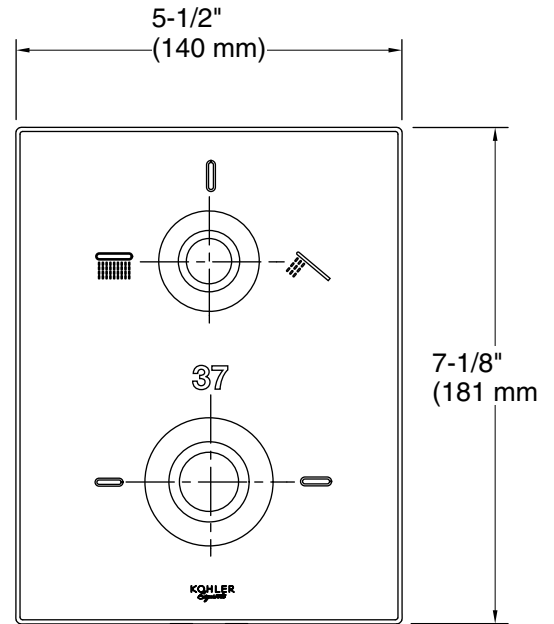
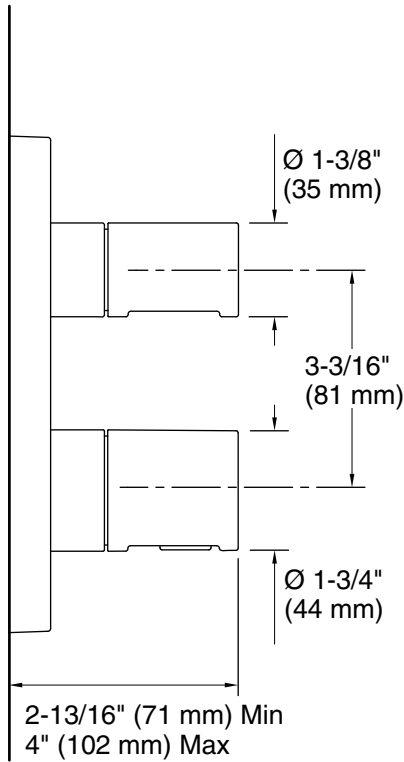
1226019.ASM

Range: 3-1/16" (78 mm) -
3-1/16" (78 mm)

Codes/Standards

Plumbing Standards
QB/T 2806

See website for detailed warranty information.



Technical Information

All product dimensions are nominal.