

### Features

- Column lets you customize your shower with a showerhead and handshower
- Single-function showerhead and handshower provide superior spray coverage
- 1.5 gpm (5.7 lpm) maximum flow rate showerhead/handshower allows you to save water without sacrificing performance or coverage
- Variable-flow lever lets you adjust from 1.5 gpm (5.7 lpm) down to 0.5 gpm (1.9 lpm) water pause for greater conservation during your shower routine
- Silicone showerhead and handshower sprayfaces are easy to clean
- Slidebar bracket allows you to adjust height and angle of handshower
- Diverter at base of column makes for easy toggling between handshower and showerhead

### Material

- Premium metal shower column for durability and reliability
- KOHLER® finishes resist corrosion and tarnishing
- Hose is a durable, flexible polymer blend with soft-touch finish for a hassle-free drape

### Technology

- Katalyst® air-induction technology infuses water with air, creating bigger drops for a more powerful spray

### Installation

- Wall-mount
- For use in shower-only installations
- Installs in less than 60 minutes without changes to in-wall plumbing (subject to condition of existing installation)
- May require additional service parts based on installation type (see installation guide for details)
- Includes an adapter that will fit with most installations but may require K-1194630, K-1187917 or K-1194302

### Recommended Products/Accessories

K-23723 Faucet cleaner

### Included Components

K-20998 Single-function handshower, 1.5 gpm  
K-20999 Single-function showerhead, 1.5 gpm  
K-21049 60" shower hose  
K-45906 Shower column



ADA

### Codes/Standards




ASME A112.18.1/CSA B125.1  
DOE - Energy Policy Act 1992  
EPA WaterSense®  
California Energy Commission (CEC)  
ADA  
ICC/ANSI A117.1  
IAPMO Certification

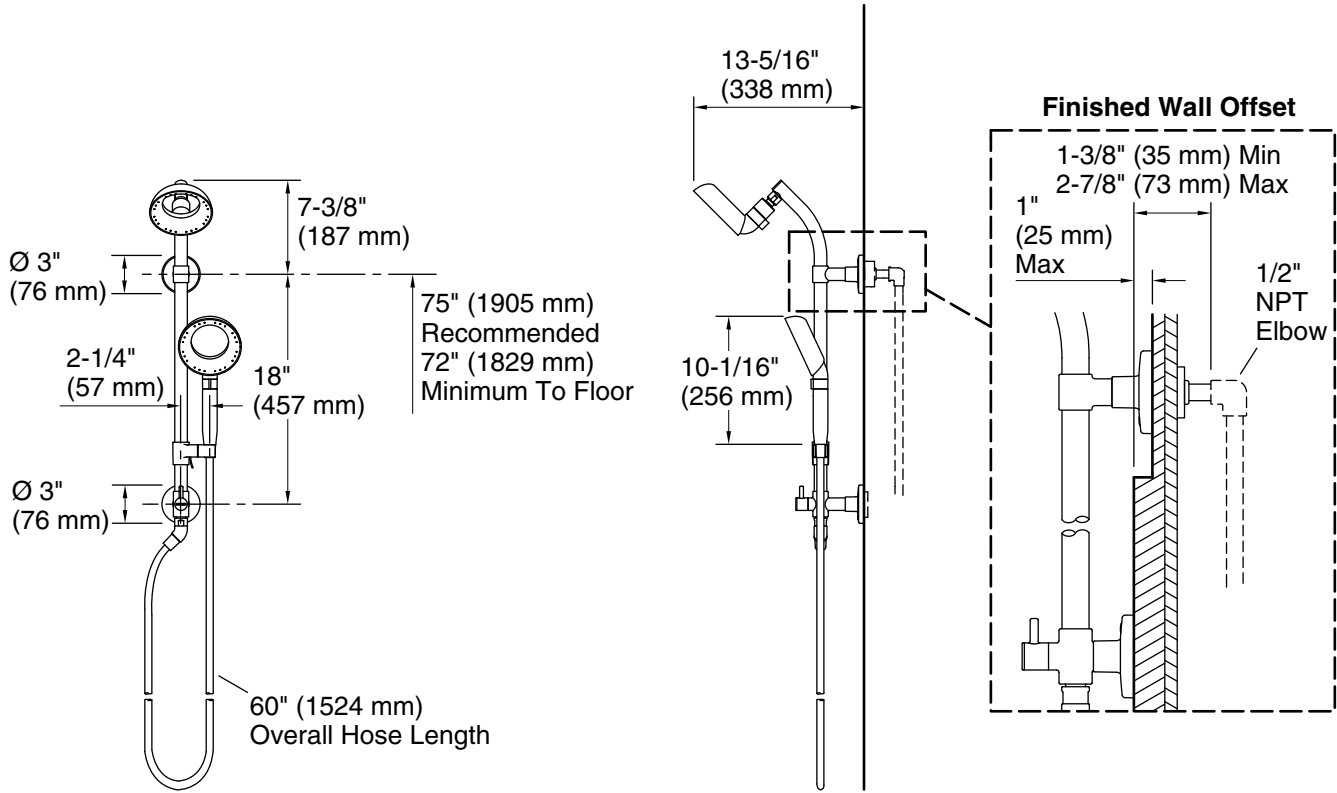
### KOHLER® Faucet Lifetime Limited Warranty

See website for detailed warranty information.

### Available Colors/Finishes

*Color tiles intended for reference only.*

Color	Code	Description
	CP	Polished Chrome
	BN	Vibrant® Brushed Nickel
	BL	Matte Black



### Technical Information

All product dimensions are nominal.

Drain included: No

### Handshower:

Rated maximum flow: 1.5 gal/min (5.7 l/min)

### Showerhead/Body Spray:

Rated maximum flow: 1.5 gal/min (5.7 l/min)

### Notes

Install this product according to the installation instructions.

ADA compliant when installed to the specific requirements of these regulations.