

Features

- Brass drain and color-matched brass drain cover
- With overflow
- Elongated oval basin
- No faucet holes; requires counter-mount faucet with lift rod

Material

- Vitreous china

Installation

- Undermount



ADA

CSA B651

OBC

Codes/Standards

ASME A112.19.2/CSA B45.1

ADA

ICC/ANSI A117.1

CSA B651

OBC

IAPMO Certification

KOHLER® Vitreous China Bathroom Sink Lifetime Limited Warranty

See website for detailed warranty information.

Available Colors/Finishes

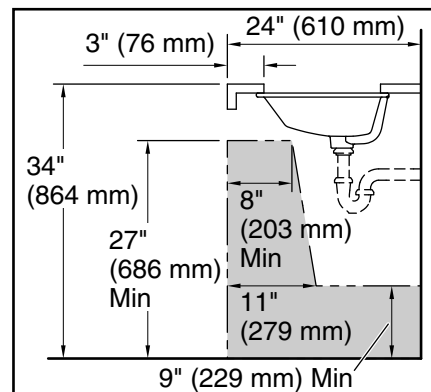
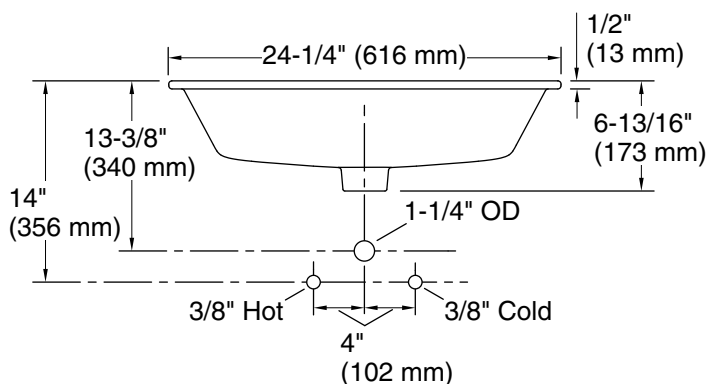
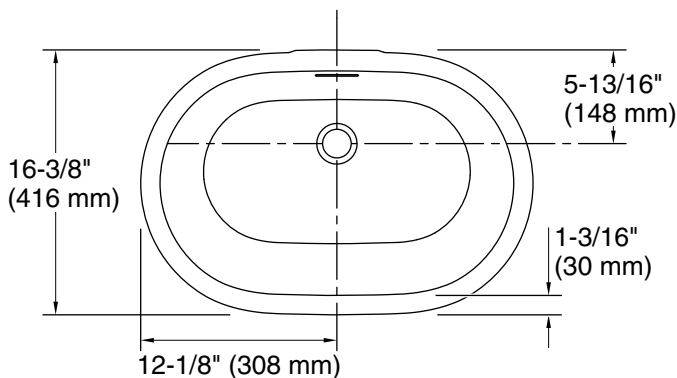
Color tiles intended for reference only.

Color	Code	Description
-------	------	-------------

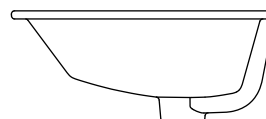


0

White



Recommended ADA Installation



Technical Information

All product dimensions are nominal.

- Basin configuration: Single Bowl
- Bowl area (Basin #1):
 - Length: 22-1/16" (560 mm)
 - Width: 13-7/8" (352 mm)
 - Bowl depth: 5-1/8" (130 mm)
- With overflow: Yes
- Drain hole: 1-3/4" (45 mm)
- Template: 1483029-7, required, included

Notes

Install this product according to the installation instructions.

NOTICE: Countertop manufacturer or cutter must use the cut-out template provided with the product, or a current one provided by Kohler Co. (call 1-800-4-KOHLER). Kohler Co. is not responsible for cutout errors when the incorrect cut-out template is used.

ADA, OBC, CSA B651 compliant when installed to the specific requirements of these regulations.