

## Features

- Brass drain and color-matched brass drain cover
- With overflow
- Rectangular basin
- No faucet holes; requires counter-mount faucet with lift rod

## Material

- Vitreous china

## Installation

- Undermount



ADA

CSA B651

OBC

## Codes/Standards

ASME A112.19.2/CSA B45.1

ADA

ICC/ANSI A117.1

CSA B651

OBC


## KOHLER® Vitreous China Bathroom Sink Lifetime Limited Warranty

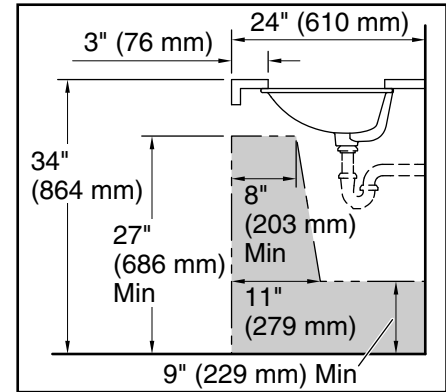
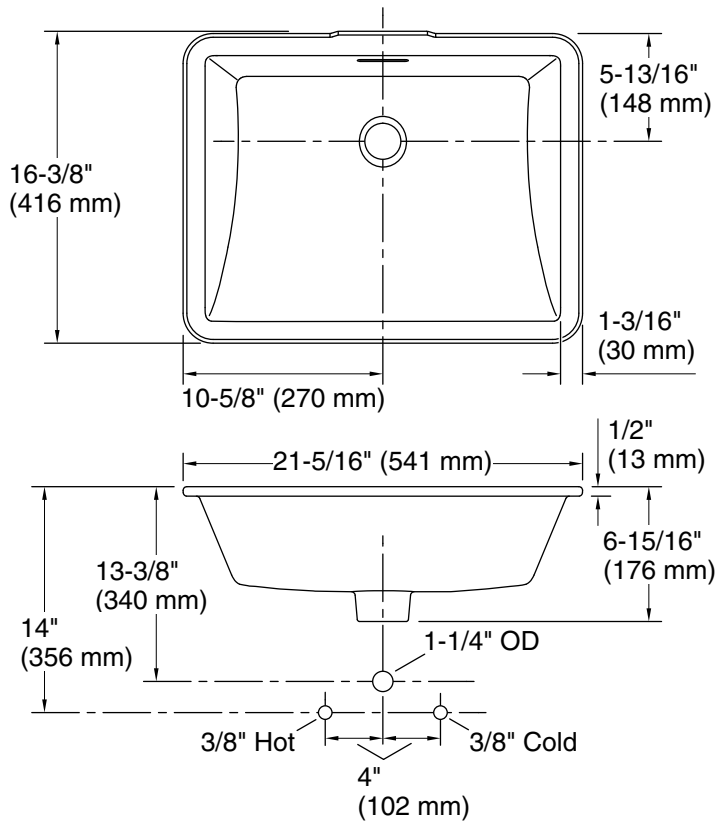
See website for detailed warranty information.

## Available Colors/Finishes

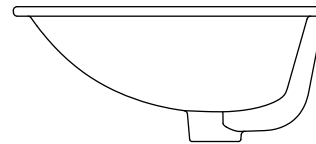
*Color tiles intended for reference only.*

Color	Code	Description
-------	------	-------------

	0	White
---	---	-------



**Recommended ADA Installation**



## Technical Information

All product dimensions are nominal.

Basin configuration:	Single Bowl
Bowl area (Basin #1):	Length: 19" (482 mm) Width: 13-7/8" (352 mm) Bowl depth: 5-1/8" (130 mm)
With overflow:	Yes
Drain hole:	1-3/4" (45 mm)
Template:	1483028-7, required, included

## Notes

Install this product according to the installation instructions.

ADA, OBC, CSA B651 compliant when installed to the specific requirements of these regulations.