

Features

- 8" (203 mm) widespread faucet holes
- Brass drain and color-matched brass drain cover
- With overflow
- Rectangular basin
- 8" (203 mm) widespread faucet holes; requires faucet with lift rod

Material

- Fireclay

Installation

- Vessel



ADA

CSA B651

OBC

Codes/Standards

ASME A112.19.2/CSA B45.1

ADA

ICC/ANSI A117.1

CSA B651

OBC

IAPMO Certification

KOHLER® One-Year Limited Warranty

See website for detailed warranty information.

Available Colors/Finishes

Color tiles intended for reference only.

Color	Code	Description
-------	------	-------------



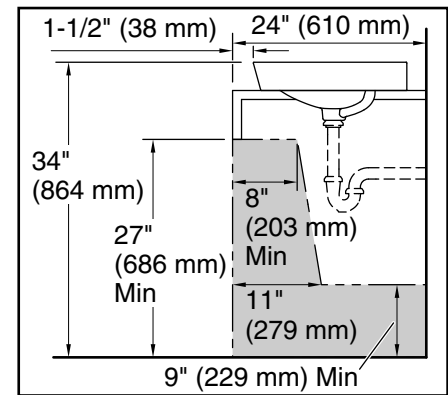
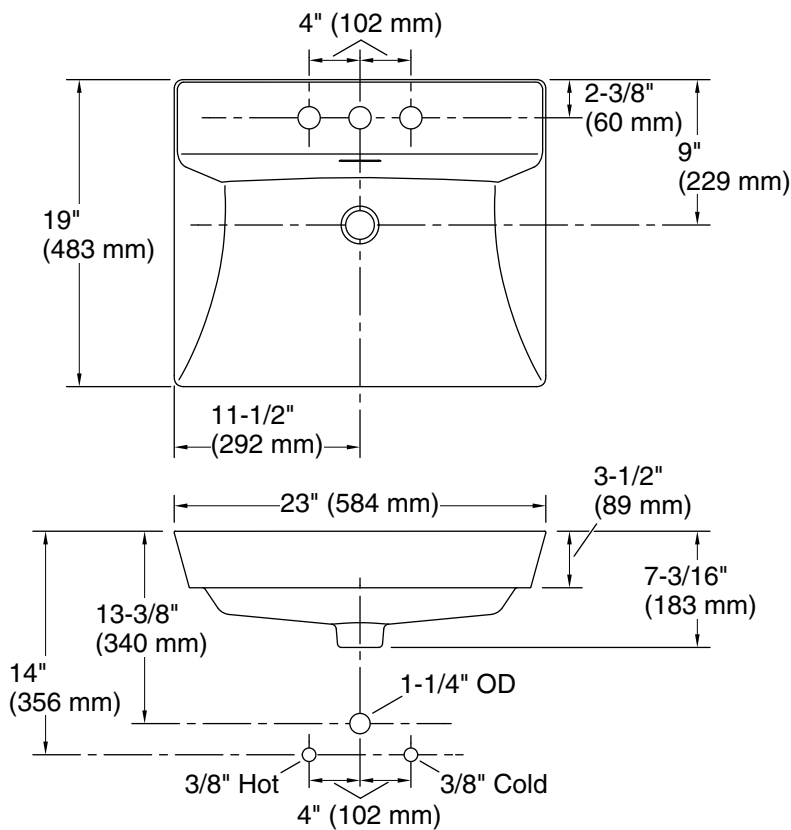
0

White

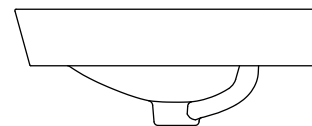


HB1

Honed Black



Recommended ADA Installation



Technical Information

All product dimensions are nominal.

- Basin configuration: Single Bowl
- Bowl area (Only): Length: 19-3/16" (487 mm)
Width: 11-1/4" (286 mm)
Bowl depth: 5-5/16" (135 mm)
- Drain hole: 1-3/4" (45 mm)
- Template: 1483025-7, required, included

Notes

Install this product according to the installation instructions.

NOTICE: Countertop manufacturer or cutter must use the cut-out template provided with the product, or a current one provided by Kohler Co. (call 1-800-4-KOHLER). Kohler Co. is not responsible for cutout errors when the incorrect cut-out template is used.

ADA, OBC, CSA B651 compliant when installed to the specific requirements of these regulations.