

#### Features

- Brass drain and color-matched brass drain cover
- With overflow
- Rectangular basin
- No faucet holes; requires counter-mount faucet with lift rod

#### Material

- Fireclay

#### Installation

- Vessel



ADA

CSA B651

OBC

#### Codes/Standards

ASME A112.19.2/CSA B45.1

ADA

ICC/ANSI A117.1

CSA B651

OBC

IAPMO Certification

#### KOHLER® One-Year Limited Warranty

See website for detailed warranty information.

#### Available Colors/Finishes

*Color tiles intended for reference only.*

Color	Code	Description
-------	------	-------------



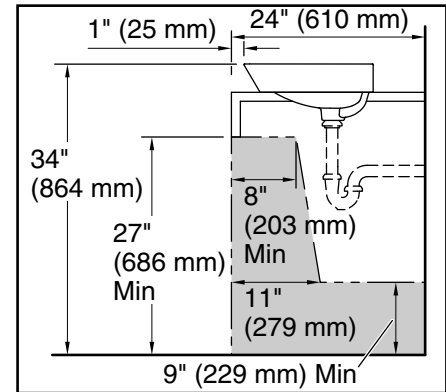
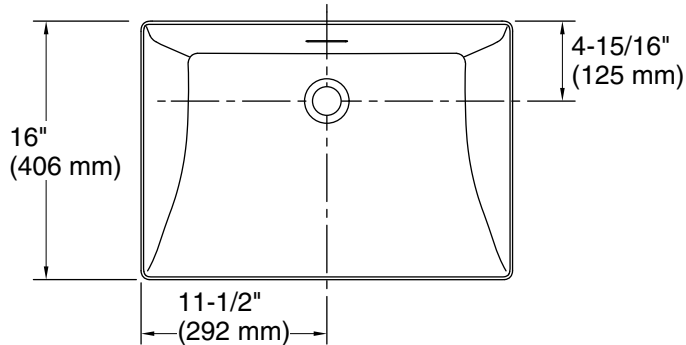
0

White

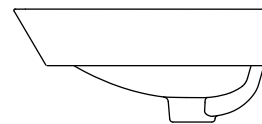
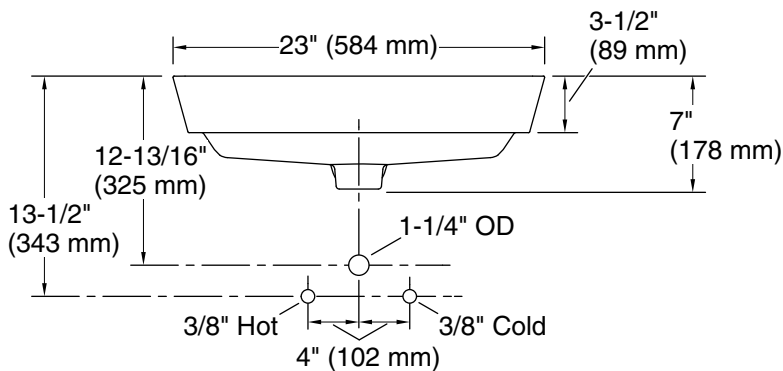


HB1

Honed Black



**Recommended ADA Installation**



### Technical Information

All product dimensions are nominal.

Basin configuration:	Single Bowl
Bowl area (Basin #1):	Length: 22-11/16" (576 mm) Width: 15-5/8" (397 mm) Bowl depth: 5-1/8" (130 mm)
With overflow:	Yes
Drain hole:	1-3/4" (45 mm)
Template:	1483026-7, required, included

### Notes

Install this product according to the installation instructions.

**NOTICE:** Countertop manufacturer or cutter must use the cut-out template provided with the product, or a current one provided by Kohler Co. (call 1-800-4-KOHLER). Kohler Co. is not responsible for cutout errors when the incorrect cut-out template is used.

ADA, OBC, CSA B651 compliant when installed to the specific requirements of these regulations.