



# Irvine® | K-21265-R

Right-hand trip lever

## Features

- Right-hand Polished Chrome trip lever
- For use with the K-20450-RA Irvine™ toilet



## Available Colors/Finishes

*Color tiles intended for reference only.*

- CP Polished Chrome
- SN Vibrant Polished Nickel
- BN Vibrant Brushed Nickel
- BL Matte Black
- 2MB Vibrant Brushed Moderne Brass



1-800-4KOHLER (1-800-456-4537)  
Kohler Co. reserves the right to make revisions without notice to product specifications.  
For the most current specification sheet, go to [www.kohler.com](http://www.kohler.com) USA or [www.kohler.ca](http://www.kohler.ca) Canada.  
6-24-2026 10:8 - US-CA

THE BOLD LOOK  
OF **KOHLER**

---

## Codes/Standards

ADA, OBC, CSA B651 compliant when installed to the specific requirements of these regulations.



ADA  
ICC/ANSI A117.1  
CSA B651  
OBC

---

## Material

- Premium metal construction for durability and reliability
  - KOHLER finishes resist corrosion and tarnishing
- 

## Recommended Products/Accessories

K-23723 Faucet cleaner

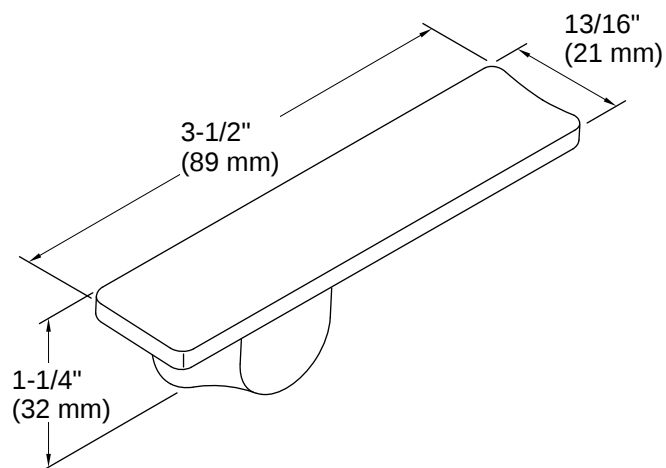
---

## Warranty

See website for detailed warranty information.

KOHLER® One-Year Limited Warranty





## Installation Notes

*Install this product according to the installation instructions.*

ADA, OBC, CSA B651 compliant when installed to the specific requirements of these regulations.

