



Turnings®

16-1/4" round vessel bathroom sink, no overflow
K-2191

Features

- Deep, circular basin detailed with a raised swirl pattern
- No faucet holes; requires wall- or counter-mount faucet

Material

- Vitreous china

Installation

- Vessel



ADA

CSA B651

OBC

Codes/Standards

ASME A112.19.2/CSA B45.1

ADA

ICC/ANSI A117.1

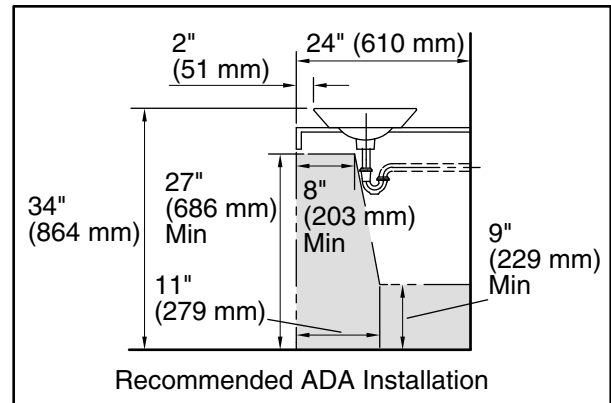
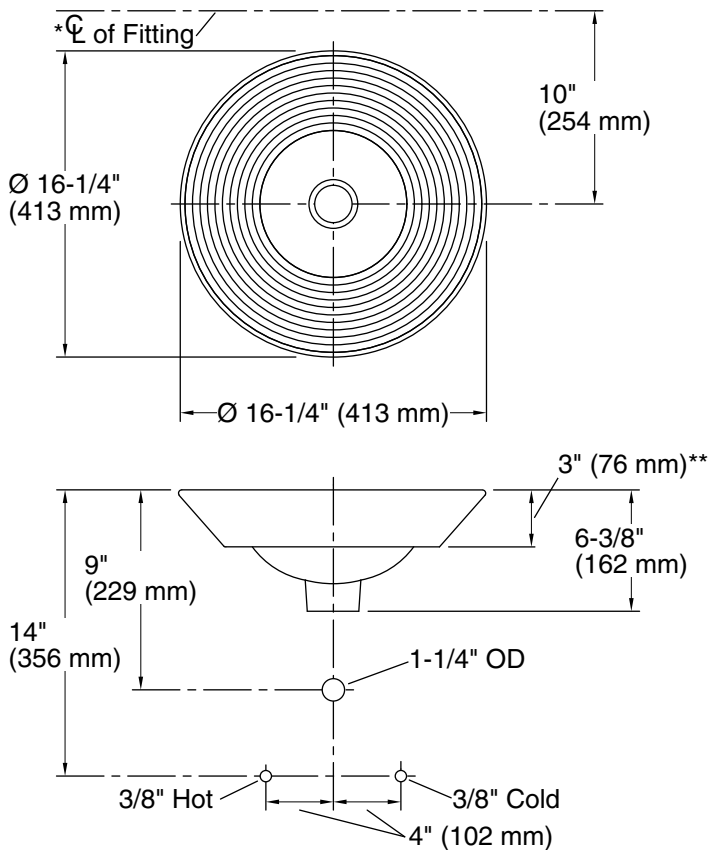
CSA B651

OBC

IAPMO Certification

**KOHLER® One-Year Limited
Warranty**

See website for detailed warranty information.



Technical Information

All product dimensions are nominal.

| | |
|----------------------|--|
| Basin configuration: | Single Bowl |
| Bowl area (Only): | Length: 15-15/16" (404 mm) Width: 15-15/16" (404 mm) Bowl depth: 4-3/8" (111 mm) Water depth: 4-1/4" (108 mm) |
| With overflow: | No |
| Drain hole: | 1-3/4" (44 mm) |
| Template: | 1002980-7, required, included |

Notes

Install this product according to the installation instructions.

Product does not have an overflow.

Spout must be 5" (127 mm) long (min) for adequate clearance into the bathroom sink when installed with centerline as shown.

NOTICE: Countertop manufacturer or cutter must use the cut-out template provided with the product, or a current one provided by Kohler Co. (call 1-800-4-KOHLER). Kohler Co. is not responsible for cutout errors when the incorrect cut-out template is used.

ADA, OBC, CSA B651 compliant when installed to the specific requirements of these regulations.