



Caxton®
19-1/4" oval undermount bathroom sink with glazed underside, no overflow
K-2205-G

Features

- Oval basin with glazed underside
- No faucet holes; requires wall- or counter-mount faucet
- Fits standard 14" x 17" (356 x 432 mm) countertop cutout

Material

- Vitreous china

Installation

- Center drain
- Undermount

Recommended Products/Accessories

- K-9018 P-Trap
- K-23726 Drain treatment
- K-23725 Cast iron cleaner

Included Components

- 1193643 Basin clamps



ADA **CSA B651**

Codes/Standards

ASME A112.19.2/CSA B45.1
ADA
ICC/ANSI A117.1
CSA B651
IAPMO Certification



KOHLER® Vitreous China Bathroom Sink Lifetime Limited Warranty

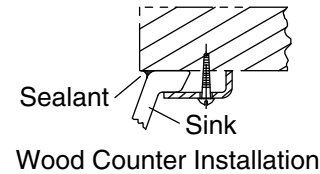
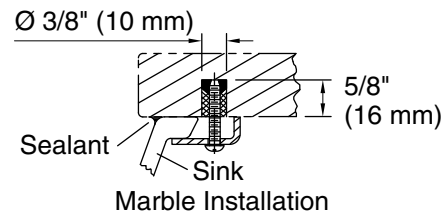
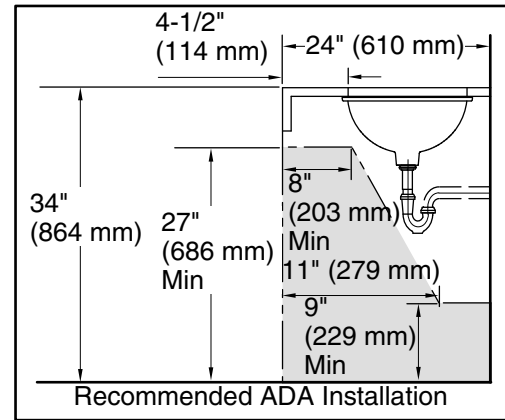
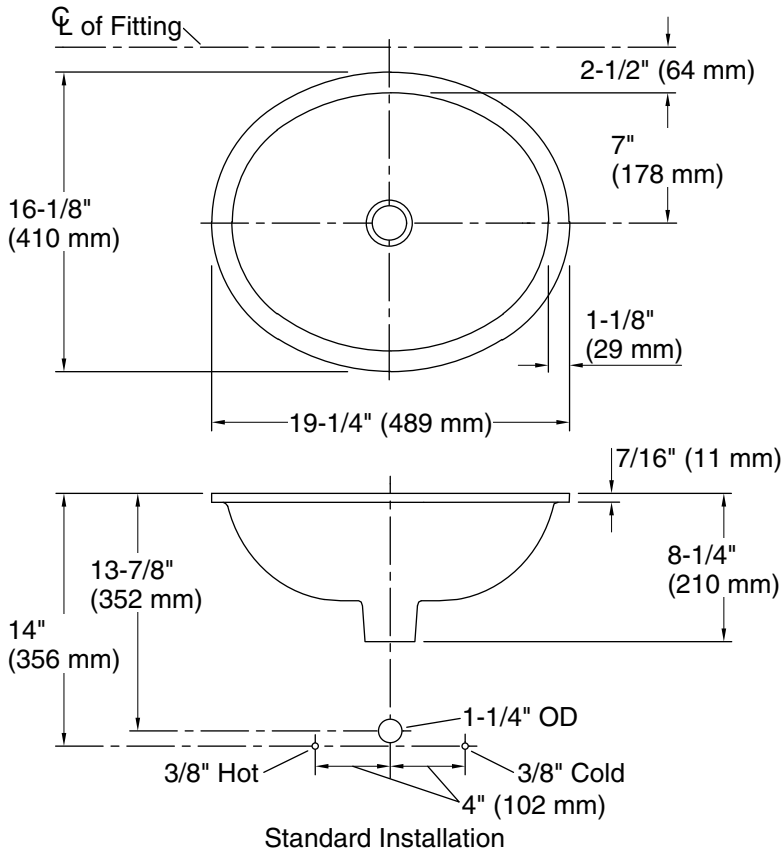
See website for detailed warranty information.

Available Colors/Finishes

Color tiles intended for reference only.

Color Code Description

	0	White
	96	Biscuit



Technical Information

All product dimensions are nominal.

- Basin configuration: Single Bowl
- Bowl area (Only):
 - Length: 17" (432 mm)
 - Width: 14" (356 mm)
 - Water depth: 6-3/8" (162 mm)
- Drain hole: 1-3/4" (44 mm)
- Template: 1151011-7, required, not included

Notes

Install this product according to the installation instructions.

NOTICE: Countertop manufacturer or cutter must use the current product template available at www.kohler.com, or by calling 1-800-4KOHLER. Kohler Co. is not responsible for cutout errors when the incorrect cutout template is used.

ADA, CSA B651 compliant when installed to the specific requirements of these regulations.