

## Features

- Oval basin
- No faucet holes; requires wall- or counter-mount faucet
- Fits standard 14" x 17" (356 x 432 mm) countertop cutout

## Material

- Vitreous china

## Installation

- Center drain
- Undermount

## Recommended Products/Accessories

- K-9018 P-Trap
- K-23726 Drain treatment
- K-23725 Cast iron cleaner

## Included Components

- 1193643 Basin clamps



ADA

CSA B651

## Codes/Standards

ASME A112.19.2/CSA B45.1  
ADA  
ICC/ANSI A117.1  
CSA B651  
IAPMO Certification

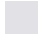

## KOHLER® Vitreous China Bathroom Sink Lifetime Limited Warranty

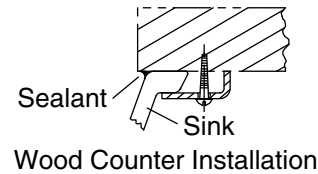
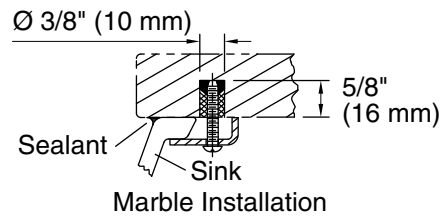
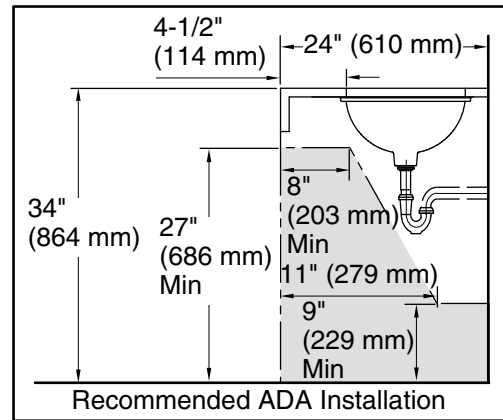
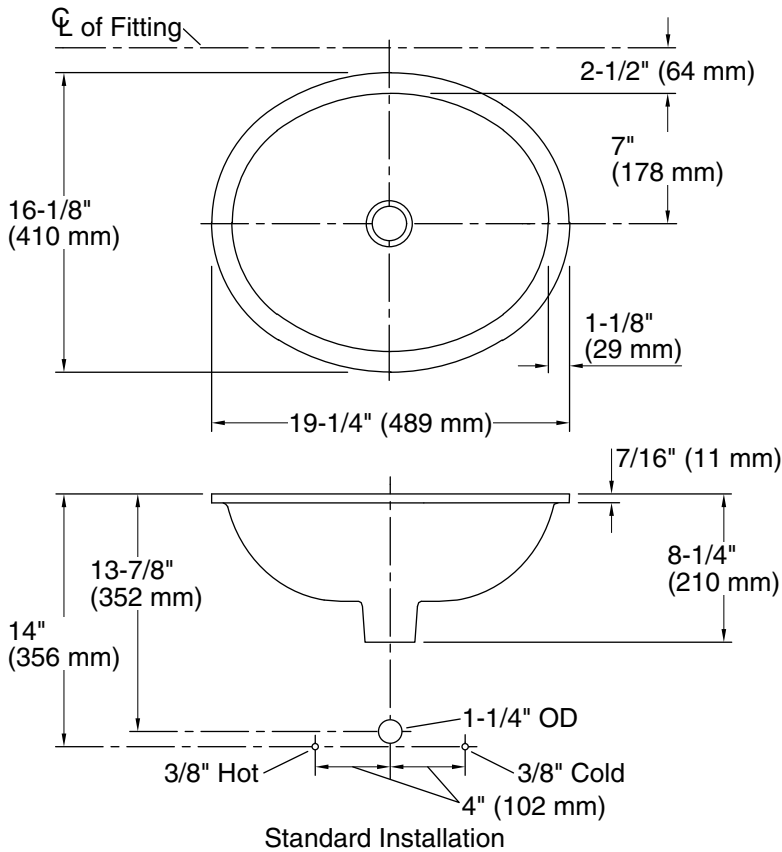
See website for detailed warranty information.

## Available Colors/Finishes

*Color tiles intended for reference only.*

Color	Code	Description
-------	------	-------------

	0	White
	96	Biscuit



### Technical Information

All product dimensions are nominal.

Basin configuration: Single Bowl

Bowl area (Only): Length: 17" (432 mm)  
 Width: 14" (356 mm)  
 Water depth: 6-3/8" (162 mm)

Drain hole: 1-3/4" (44 mm)

Template: 1151011-7, required, not included

### Notes

Install this product according to the installation instructions.

**NOTICE:** Countertop manufacturer or cutter must use the current product template available at [www.kohler.com](http://www.kohler.com), or by calling 1-800-4KOHLER. Kohler Co. is not responsible for cutout errors when the incorrect cutout template is used.

ADA, CSA B651 compliant when installed to the specific requirements of these regulations.