



Caxton®
19-1/4" oval undermount bathroom sink with glazed underside, no overflow
K-2210-G

Features

- Oval basin with glazed underside
- No faucet holes; requires wall- or counter-mount faucet
- Fits standard 14" x 17" (356 x 432 mm) countertop cutout
- Without overflow

Material

- Vitreous china

Installation

- Undermount

Recommended Products/Accessories

- K-8998 P-Trap
- K-23726 Drain treatment
- K-23725 Cast iron cleaner

Included Components

- 1193643 Basin clamps



ADA **CSA B651**

Codes/Standards

- ASME A112.19.2/CSA B45.1
- ADA
- ICC/ANSI A117.1
- CSA B651
- IAPMO Certification



KOHLER® Vitreous China Bathroom Sink Lifetime Limited Warranty

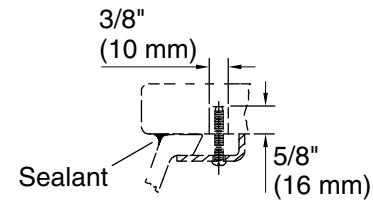
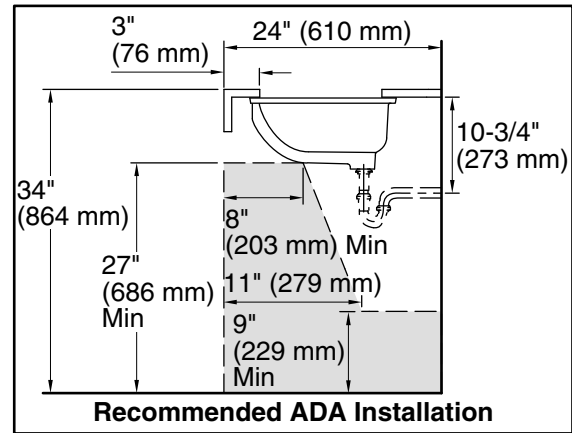
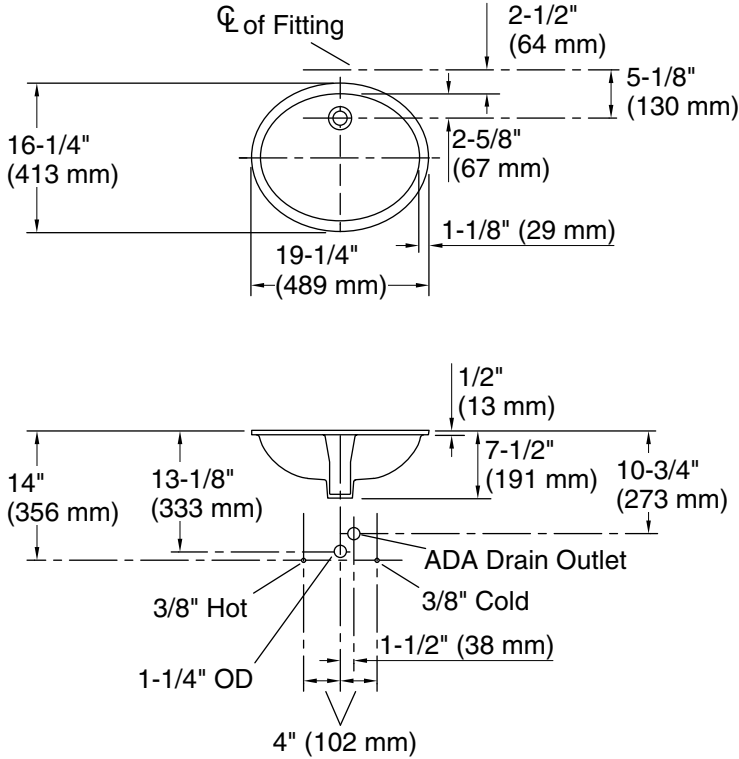
See website for detailed warranty information.

Available Colors/Finishes

Color tiles intended for reference only.

Color Code Description

	0	White
	96	Biscuit



Marble Installation



Wood Installation

Technical Information

All product dimensions are nominal.

Basin configuration:	Single Bowl
Basin area:	Length: 17" (432 mm) Width: 14" (356 mm) Water depth: 4" (102 mm)
With overflow:	No
Drain hole:	1-3/4" (44 mm)
Template:	1151011-7, required, not included

Notes

Install this product according to the installation instructions.

NOTICE: Countertop manufacturer or cutter must use the current product template available at www.kohler.com, or by calling 1-800-4KOHLER. Kohler Co. is not responsible for cutout errors when the incorrect cutout template is used.

Supplied basin clamp assemblies require 1" (25 mm) minimum countertop thickness. Installer must supply anchors for thinner countertops.

ADA, CSA B651 compliant when installed to the specific requirements of these regulations.