

Features

- Oval basin with unglazed underside
- No faucet holes; requires wall- or counter-mount faucet
- Fits standard 14" x 17" (356 x 432 mm) countertop cutout
- Without overflow

Material

- Vitreous china

Installation

- Undermount

Recommended Products/Accessories

- K-8998 P-Trap
- K-23726 Drain treatment
- K-23725 Cast iron cleaner

Included Components

- 1193643 Basin clamps



ADA

CSA B651

Codes/Standards

ASME A112.19.2/CSA B45.1
ADA
ICC/ANSI A117.1
CSA B651
IAPMO Certification

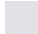

KOHLER® Vitreous China Bathroom Sink Lifetime Limited Warranty

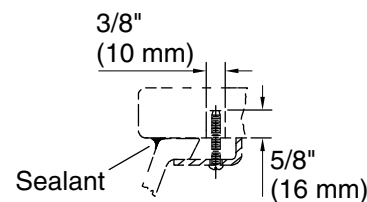
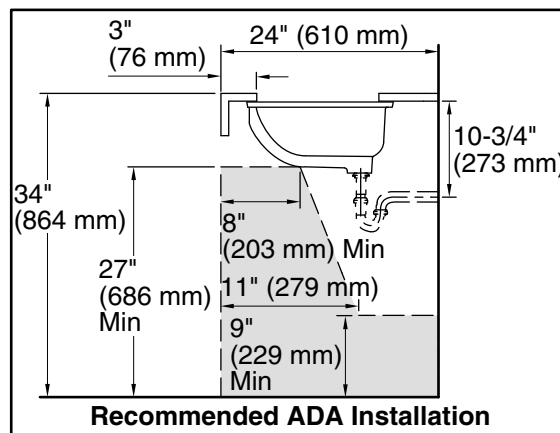
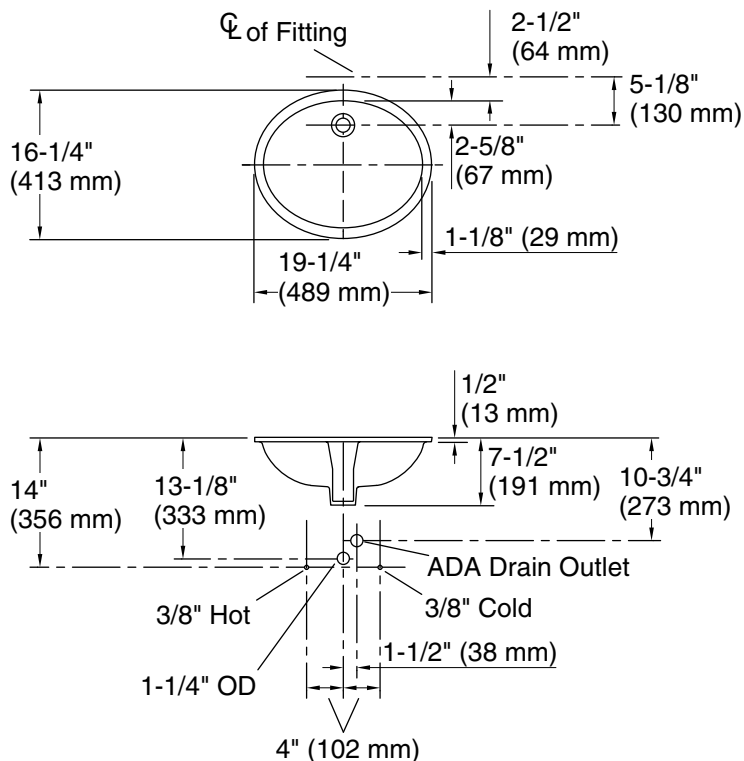
See website for detailed warranty information.

Available Colors/Finishes

Color tiles intended for reference only.

Color	Code	Description
-------	------	-------------

	0	White
	96	Biscuit



Marble Installation



Wood Installation

Technical Information

All product dimensions are nominal.

Basin configuration:	Single Bowl
Basin area (Basin #1):	Length: 17" (432 mm) Width: 14" (356 mm) Water depth: 4" (102 mm)
With overflow:	No
Drain hole:	1-3/4" (44 mm)
Template:	1151011-7, required, not included

Notes

Install this product according to the installation instructions.

NOTICE: Countertop manufacturer or cutter must use the current product template available at www.kohler.com, or by calling 1-800-4KOHLER. Kohler Co. is not responsible for cutout errors when the incorrect cutout template is used.

ADA, CSA B651 compliant when installed to the specific requirements of these regulations.