



**Ladena®**  
21" rectangular undermount bathroom sink with glazed underside, no overflow  
**K-2214-G**

**Features**

- Glazed underside works beautifully for countertop installations
- Spacious basin
- No faucet holes; requires wall- or counter-mount faucet

**Material**

- Vitreous china

**Installation**

- Undermount

**Recommended Products/Accessories**

- K-8998 P-Trap
- K-23726 Drain treatment
- K-23725 Cast iron cleaner

**Included Components**

- 1193643 Basin clamps



**ADA**

**Codes/Standards**





- ASME A112.19.2/CSA B45.1
- ADA
- ICC/ANSI A117.1
- IAPMO Certification

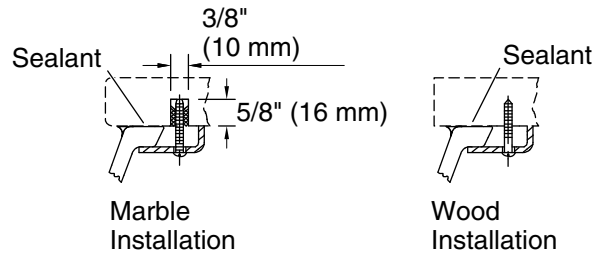
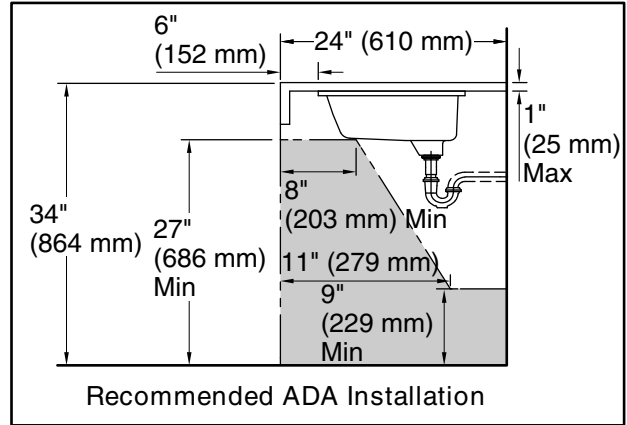
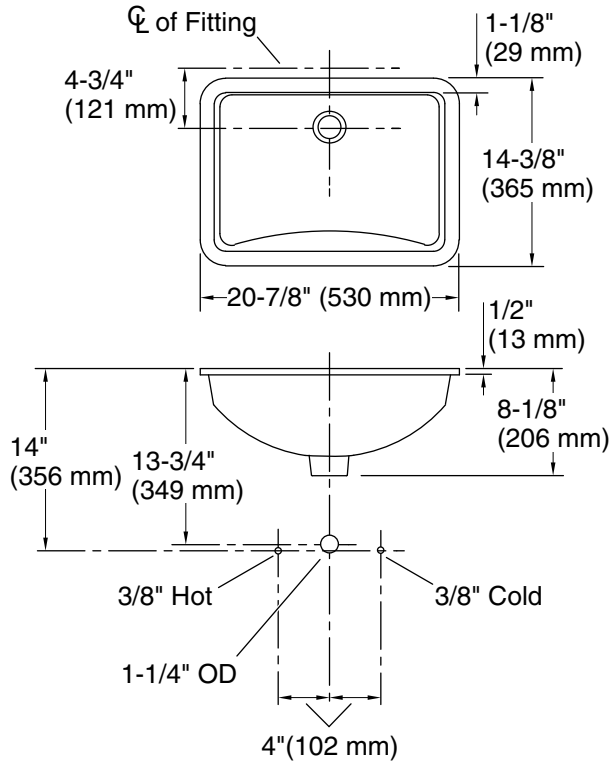
**KOHLER® Vitreous China Bathroom Sink Lifetime Limited Warranty**

See website for detailed warranty information.

**Available Colors/Finishes**

*Color tiles intended for reference only.*

Color	Code	Description
	0	White
	96	Biscuit
	NY	Dune
	7	Black Black™



## Technical Information

All product dimensions are nominal.

Basin configuration:	Single Bowl
Bowl area:	Length: 18-3/8" (467 mm) Width: 11-5/8" (295 mm) Water depth: 4-5/8" (117 mm)
With overflow:	No
Drain hole:	1-3/4" (44 mm)
Template:	1053195-7, required, not included

## Notes

Install this product according to the installation instructions.

The product diagram is based on the K-8998 adjustable P-trap with 1" (25 mm) of tailpiece exposed.

**NOTICE:** Countertop manufacturer or cutter must use the current product template available at [www.kohler.com](http://www.kohler.com), or by calling 1-800-4KOHLER. Kohler Co. is not responsible for cutout errors when the incorrect cutout template is used.

ADA compliant when installed to the specific requirements of these regulations.