



19-1/4" oval undermount bathroom sink, no overflow
K-2219

Linia™

Features

- Oval sculpted basin
- No faucet holes; requires wall- or counter-mount faucet
- Fits standard 14" x 17" (356 x 432 mm) countertop cutout

Material

- Vitreous china

Installation

- Undermount

Recommended Products/Accessories

K-9018 P-Trap
K-23726 Drain treatment
K-23725 Cast iron cleaner

Included Components

1193643 Basin clamps



Codes/Standards

ASME A112.19.2/CSA B45.1
IAPMO Certification

KOHLER® One-Year Limited Warranty

See website for detailed warranty information.

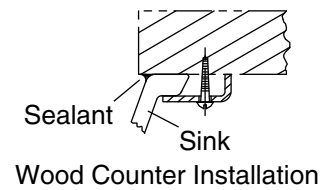
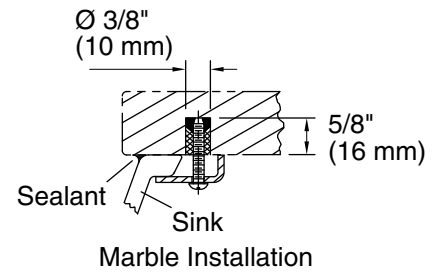
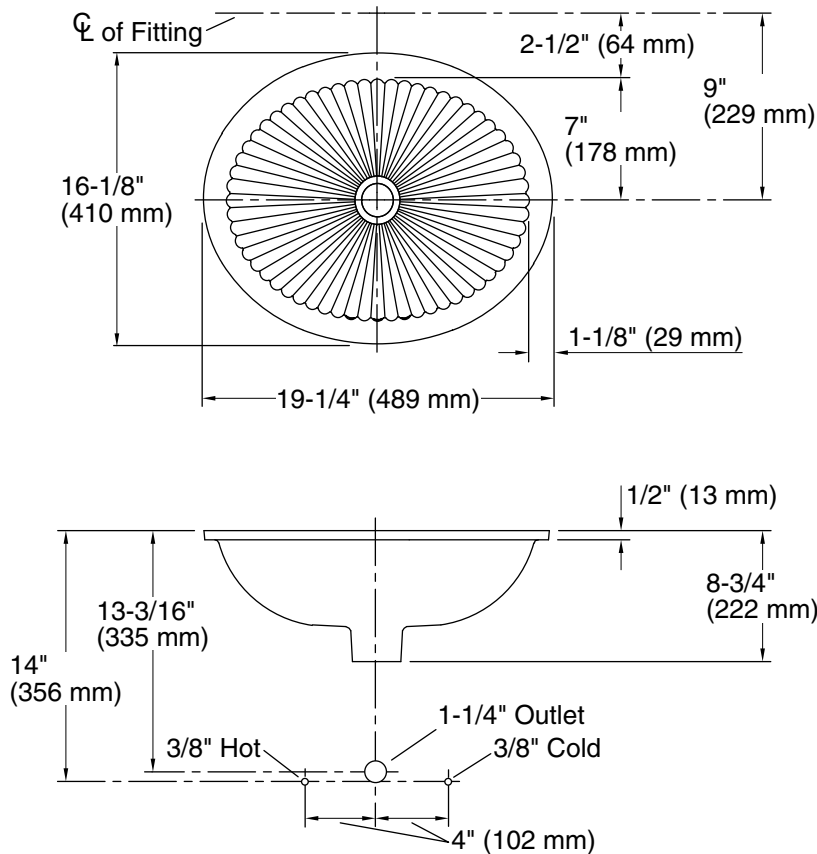
1-800-4KOHLER (1-800-456-4537)

Kohler Co. reserves the right to make revisions without notice to product specifications.

For the most current Specification Sheet, go to www.kohler.com USA or www.kohler.ca Canada

11-1-2024 23:34 - US/CA

THE BOLD LOOK
OF **KOHLER**®



Technical Information

All product dimensions are nominal.

Basin configuration:	Single Bowl
Basin area (Only):	Length: 17" (432 mm)
	Width: 14" (356 mm)
	Water depth: 6-3/8" (162 mm)
With overflow:	No
Drain hole:	1-3/4" (44 mm)
Template:	1193643, required, not included

Notes

Install this product according to the installation instructions.

NOTICE: Countertop manufacturer or cutter must use the current product template available at www.kohler.com, or by calling 1-800-4KOHLER. Kohler Co. is not responsible for cutout errors when the incorrect cutout template is used.