



Vintage®
24" oval drop-in bathroom sink
K-2220

Features

- Classic oval basin
- Overflow drain
- No faucet holes; requires wall- or counter-mount faucet

Material

- Vitreous china

Installation

- Drop-in

Recommended Products/Accessories

- K-8998 P-Trap
- K-23726 Drain treatment
- K-23725 Cast iron cleaner



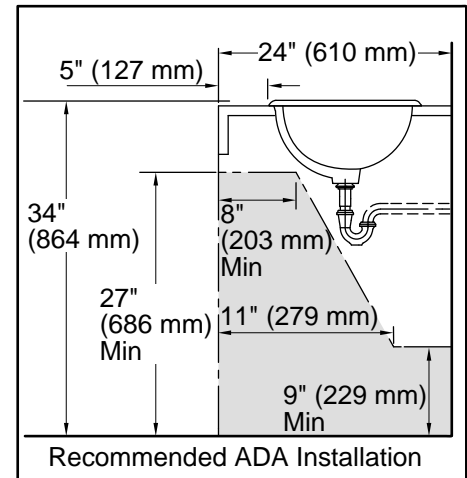
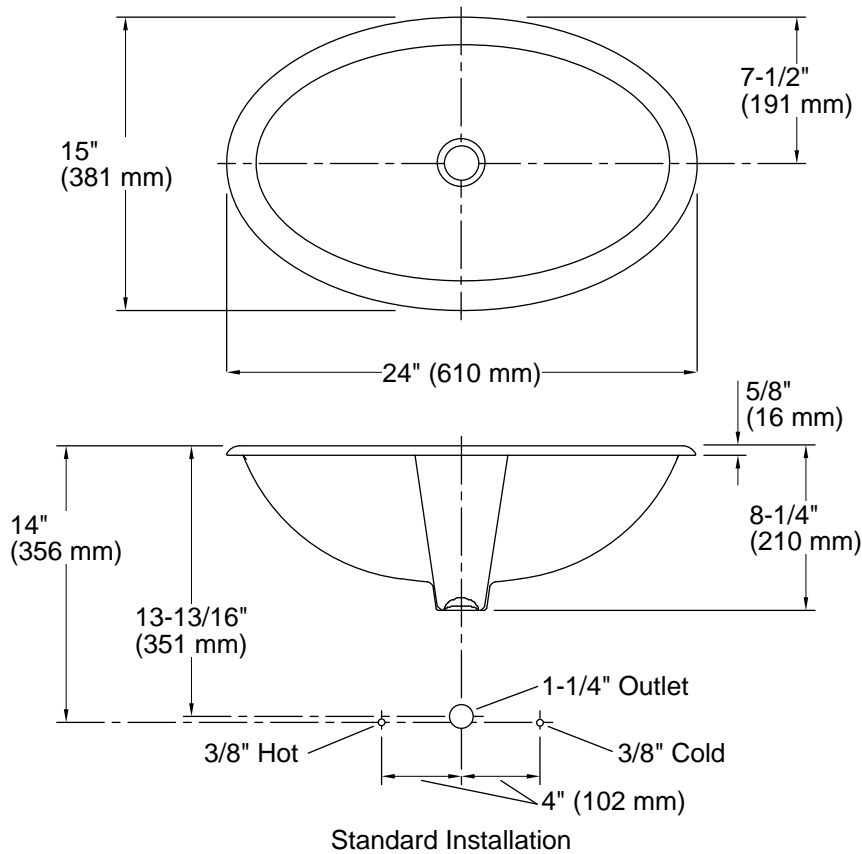
ADA

Codes/Standards

ASME A112.19.2/CSA B45.1
ADA
ICC/ANSI A117.1
IAPMO Certification

**KOHLER® One-Year Limited
Warranty**

See website for detailed warranty information.



Technical Information

All product dimensions are nominal.

Basin configuration:	Single Bowl
Bowl area (Only):	Length: 21" (533 mm)
	Width: 12" (305 mm)
	Water depth: 4-7/8" (124 mm)
With overflow:	Yes
Drain hole:	1-3/4" (44 mm)
Template:	110359-7, required, included

Notes

Install this product according to the installation instructions.

4-5/8" (117 mm) minimum faucet spout length needed to reach over rim into basin.

NOTICE: Countertop manufacturer or cutter must use the cutout template provided with the product, or a current one provided by Kohler Co. (call 1-800-4-KOHLER). Kohler Co. is not responsible for cutout errors when the incorrect cutout template is used.

ADA compliant when installed to the specific requirements of these regulations.