



Brazn®

One-piece compact elongated toilet with skirted trapway, dual-flush
K-22378

Features

- One-piece toilets integrate the tank and bowl into a seamless, easy-to-clean design
- Compact elongated bowl offers added comfort while occupying the same space as a round-front bowl
- Standard height
- Dual flush offers a choice of 0.8 or 1.28 gpf (3.0 or 4.8 lpf)
- Left-hand Polished Chrome trip lever
- 2-1/8" (54 mm) glazed trapway
- Fully skirted trapway simplifies cleaning
- Quiet-Close™ elongated lid and seat prevents slamming
- Coordinates with other products in the Brazn collection

Installation

- Standard 12" (305 mm) rough-in
- Supply line sold separately
- Requires mounting plate for heated seat installation (sold separately)

Recommended Products/Accessories

- 1265114 Connector Hose
- 1023457 Wax Ring/Hardware Kit
- 1362736 Mounting Plate Kit Exposed Wire



Codes/Standards

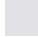

- ASME A112.19.2/CSA B45.1
- ASME A112.19.14
- DOE - Energy Policy Act 1992
- EPA WaterSense®
- California Energy Commission (CEC)
- IAPMO Certification

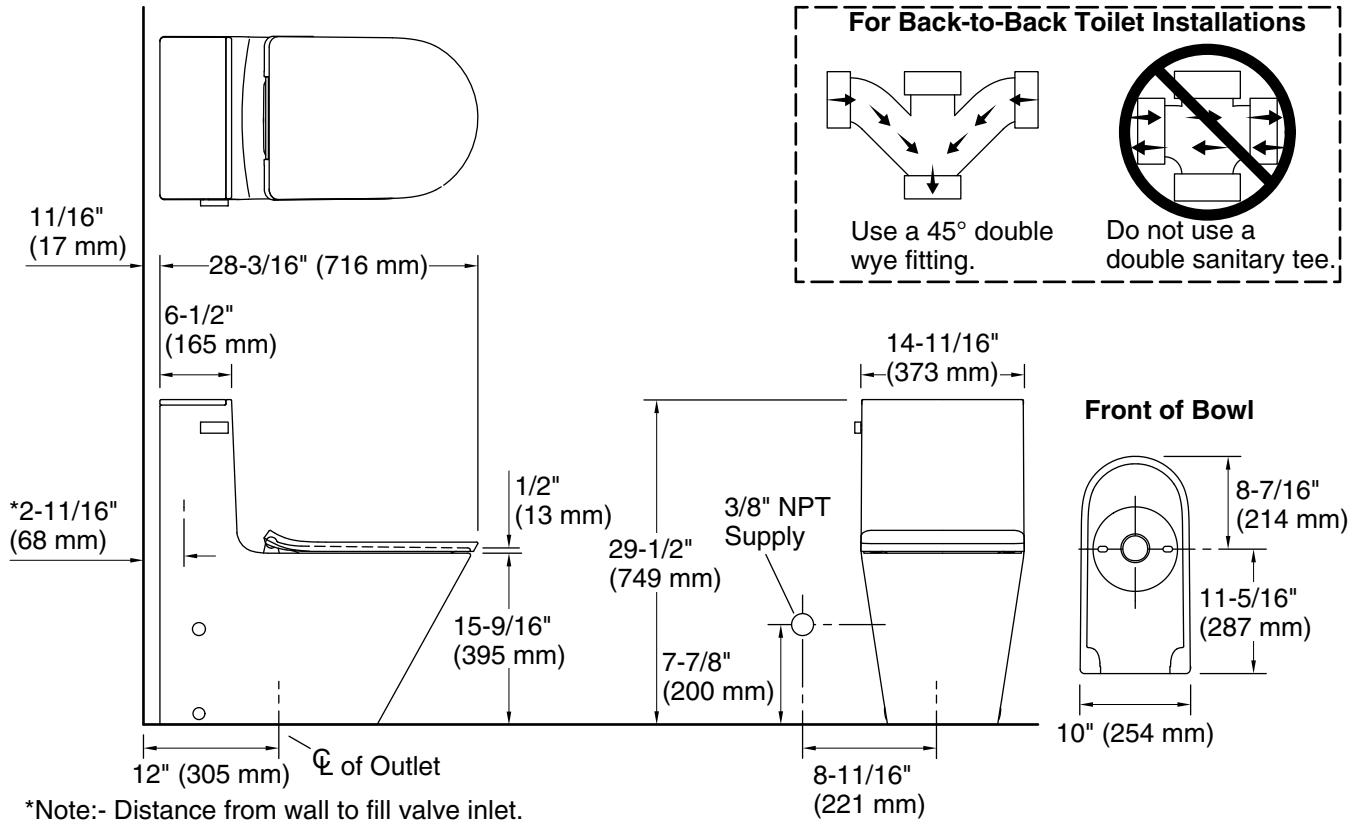
KOHLER® Toilets and Seats Limited Warranty

See website for detailed warranty information.

Available Colors/Finishes

Color tiles intended for reference only.

| Color | Code | Description |
|---|------|-------------|
|  | 0 | White |
|  | HB1 | Honed Black |



Technical Information

All product dimensions are nominal.

| | |
|-----------------------|--|
| Toilet type: | Floor-mount |
| Waste Outlet: | Floor |
| Bowl shape: | Elongated |
| Flush type: | Class Five |
| Trap passageway: | 2" (51 mm) |
| Water surface size: | 7-1/2" x 5-1/4" (191 mm x 133 mm) |
| Rim to water surface: | 6-3/16" (157 mm) |
| Rough-in: | 12" (305 mm) |
| Seat-mounting holes: | 5-1/2" (140 mm) |
| Template: | Footprint, 1385810-7, not required, included |

Fixture Supply Requirements

| | |
|-----------------------|--------------------|
| Min static pressure: | 20 psi (137.9 kPa) |
| Max static pressure: | 80 psi (551.6 kPa) |
| Min flowing pressure: | 15 psi (103.4 kPa) |

1-800-4KOHLER (1-800-456-4537)

Kohler Co. reserves the right to make revisions without notice to product specifications.

For the most current Specification Sheet, go to www.kohler.com USA or www.kohler.ca Canada

7-11-2024 23:21 - US

Notes

Install this product according to the installation instructions.