

Features

- Versatile, contemporary design
- A single handle controls both on/off activation and temperature setting
- Red/blue indexing on handle
- 8-5/8" (215 mm) stationary spout reach
- Aerated flow delivers a smooth, steady stream of water
- 1.8 gpm (6.8 lpm) maximum flow rate at 60 psi (4.14 bar)
- Includes metal pop-up drain with 1-1/4" (32 mm) tailpiece
- Coordinates with other products in the Parallel collection
- Ideal for vessel sink applications
- Requires valve (sold separately)

Material

- Premium metal construction for durability and reliability
- KOHLER® finishes resist corrosion and tarnishing

Installation

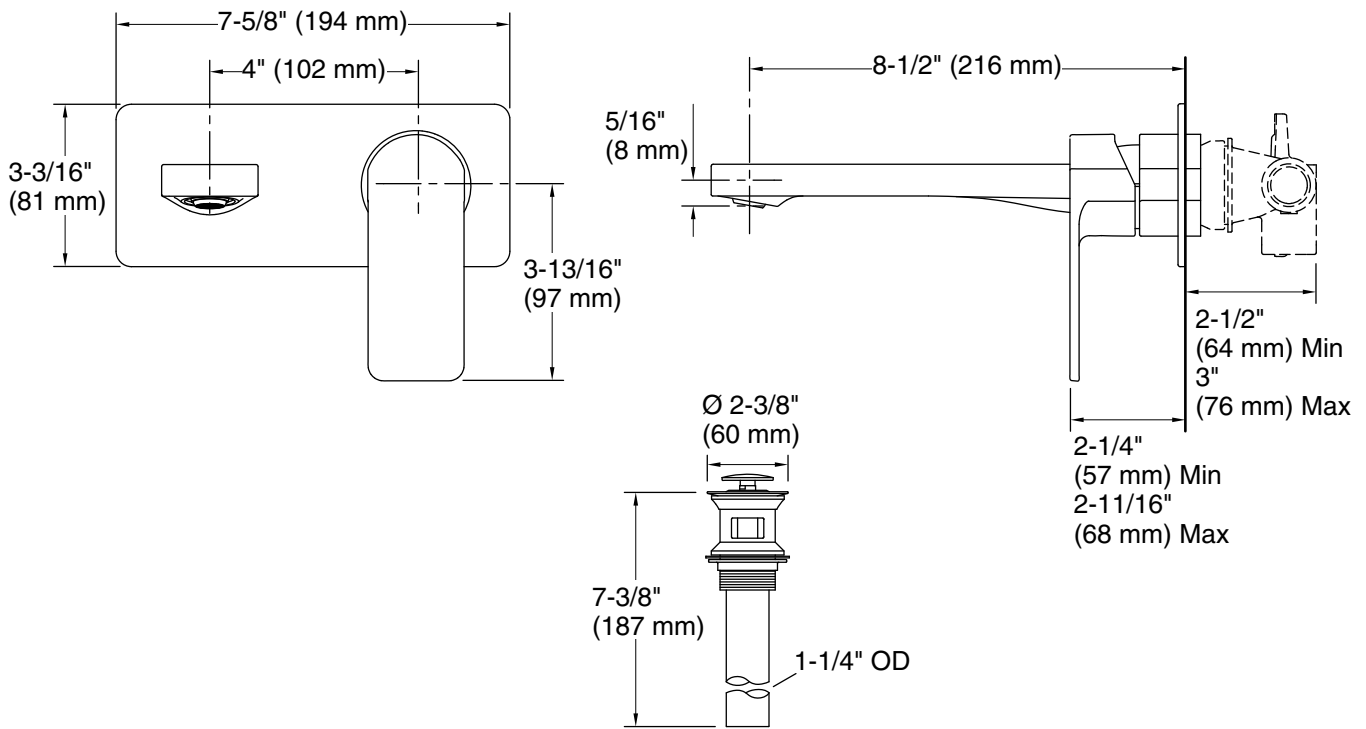
- Wall-mount
- Requires wall-mount K-28028T valve (sold separately)



Codes/Standards

Plumbing Standards
GB 18145

See website for detailed warranty information.



Technical Information

All product dimensions are nominal.

Faucet:

Flow rate: 1.75 gal/min (6.6 l/min)

Drain included: Yes

Drain with overflow: Yes

Spout:

Spout reach: 8-7/16" (215 mm)

Notes

Install this product according to the installation instructions.